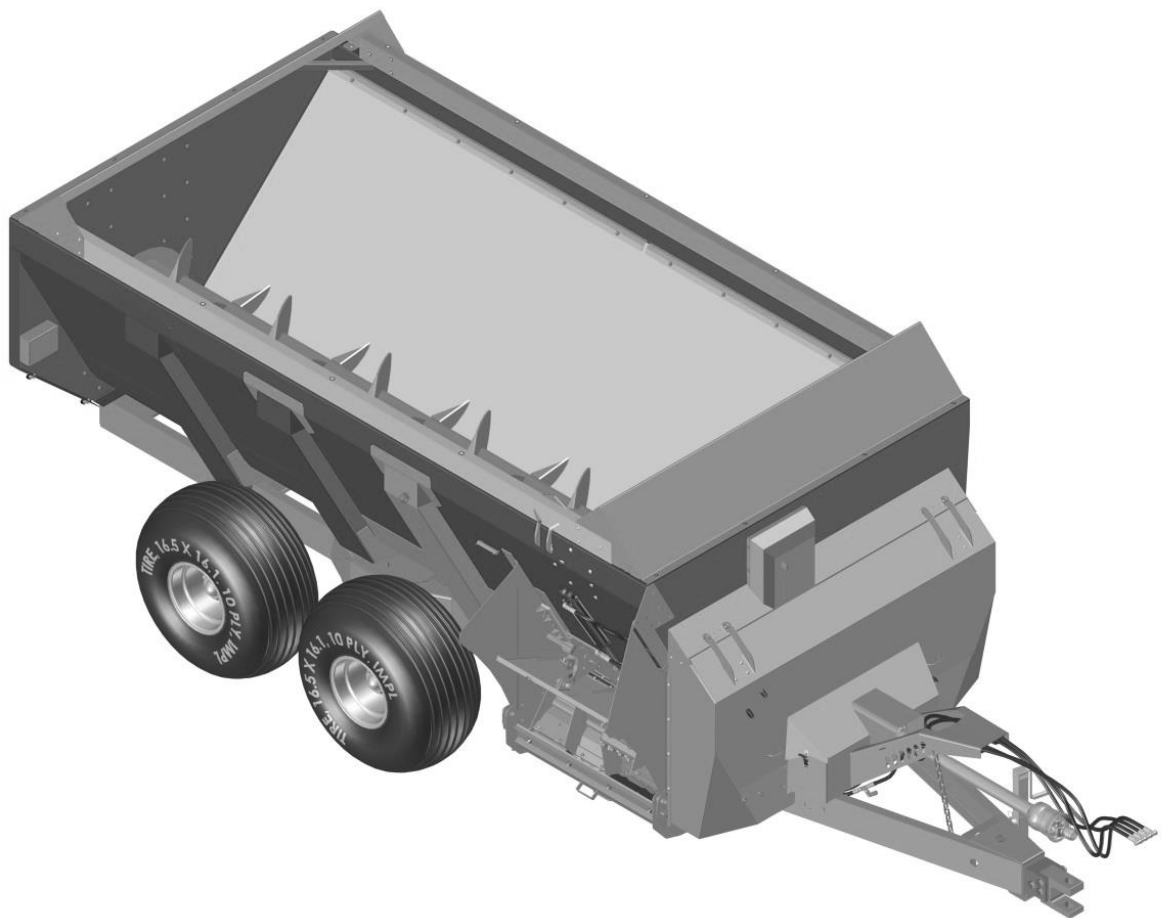


H&S PARTS BOOK

TS5226 SPREADER



Revision #02
Starting Ser.#

Part #73356
HSMF0916

**P.O. BOX 768, MARSHFIELD, WI 54449
(715) 387-3414 FAX (715) 384-5463
www.hsmfgco.com**

CONTENTS

| | |
|--|-------|
| Instructions for Ordering Parts - About Improvements | 1 |
| Figure 1 - Auger/Liner/Slides/Hitch | 2-5 |
| Figure 2 - Auger Drive | 6-9 |
| Figure 3 - Expeller/Discharge Gate/Bearings | 10-11 |
| Figure 4 - Expeller/Discharge Gate/Door | 12-13 |
| Figure 5 - Expeller/Discharge Gate/Pan | 14-15 |
| Figure 6 - Input Shaft/Expeller Drive | 16-19 |
| Figure 7 - Guards/Shields | 20-21 |
| Figure 8 - Splash Guards/Rails | 22-23 |
| Figure 9 - Hydraulics | 24-25 |
| Figure 10 - Tandem Axles | 26-27 |
| Figure 11 - Oiler Kit. | 28-29 |
| Figure 12 - Front Grease Lines. | 30-31 |
| Figure 13 - Lighting. | 32-33 |
| Figure 14 - Auger. | 34 |
| Figure 15 - Auger Front & Rear Hydraulic Cylinder. | 35 |
| Figure 16 - Expeller Door Hydraulic Cylinder | 36 |
| Figure 17 - Scale. | 37 |
| Figure 18 - PTO (OPTIONAL 540 RPM) | 38 |
| Figure 19 - PTO (1000 RPM). | 39 |
| Figure 20 - Optional Tandem Axles | 40-41 |
| Parts Notes | 42 |

INSTRUCTIONS FOR ORDERING PARTS

All service parts should be ordered through your authorized H&S dealer. They will be able to give you faster service if you will provide them with the following

1. Model & Serial number is located on the main frame.
2. All reference to left or right apply to the *Top Shot* as viewed from the rear.
3. Parts should not be ordered from illustration only. Please order by complete part number.
4. If your dealer has to order parts - give shipping instructions:

VIA truck - large pieces (please specify local truck lines)

VIA United Parcel Service (include full address)

| | |
|-------------------|----------------------|
| H&S MFG. CO. INC. | |
| MARSHFIELD, WIS. | |
| MOD. NO. | <input type="text"/> |
| SER. NO. | <input type="text"/> |
| DESCR. | <input type="text"/> |

PLEASE RECORD NUMBERS FOR YOUR UNIT FOR QUICK REFERENCE

ABOUT IMPROVEMENTS

H&S IS CONTINUALLY STRIVING TO IMPROVE IT'S PRODUCTS

We must therefore, reserve the right to make improvements or changes whenever it becomes practical to do so without incurring any obligation to make changes or additions to the equipment previously sold.

FIGURE 1

AUGER/LINER/SLIDES/HITCH

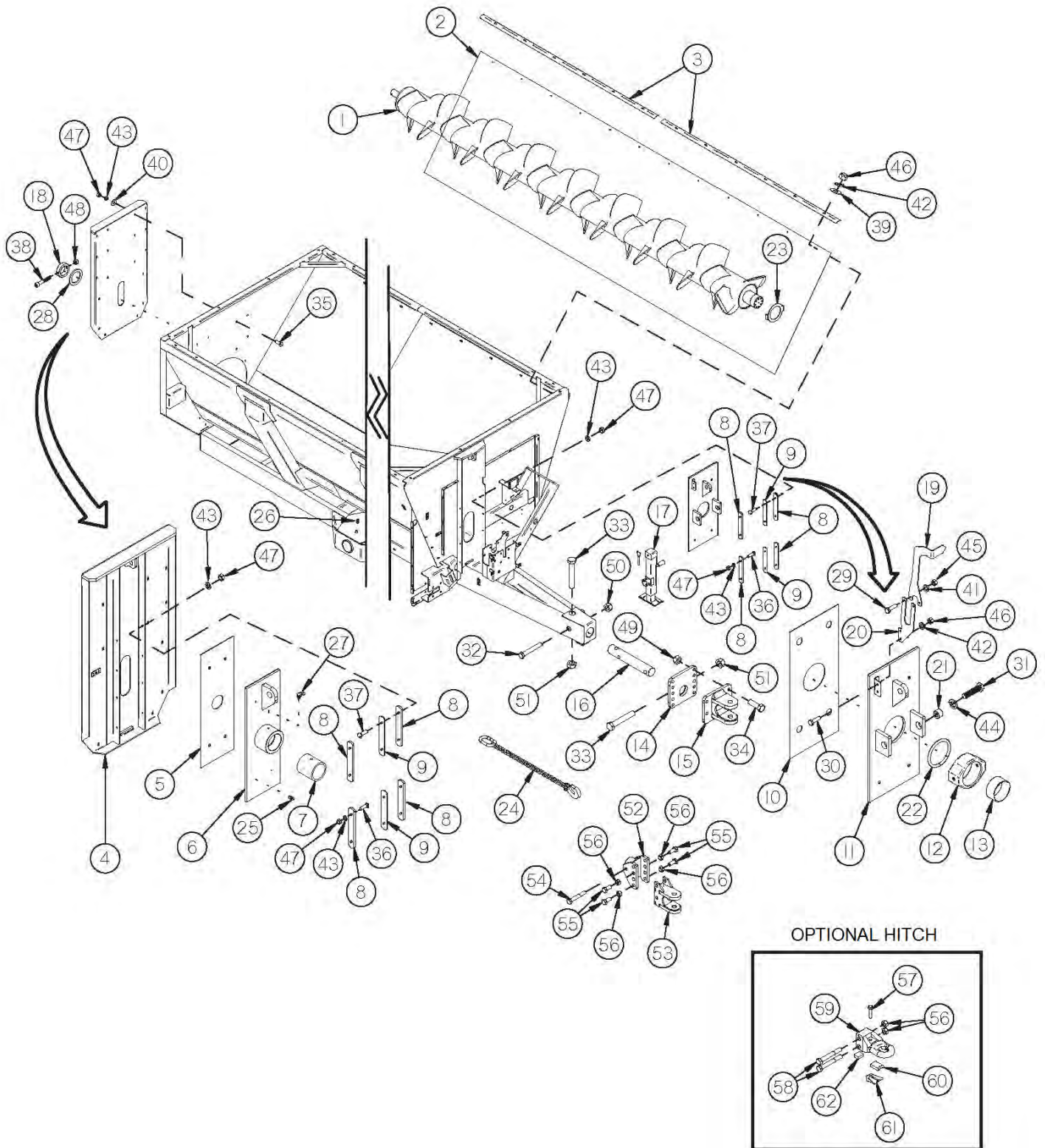


FIGURE 1

AUGER/LINER/SLIDES/HITCH

| <u>ITEM</u> | <u>QTY</u> | <u>PART #</u> | <u>DESCRIPTION</u> |
|-------------|------------|---------------|--------------------------------------|
| 1 | 1 | TS1 | AUGER ASSEMBLY |
| 2 | 1 | TS3 | 51.75 X 190" WHITE POLY / APX2-PL-06 |
| 3 | 2 | TS4 | POLY TOP HOLD DOWN |
| 4 | 1 | TS6 | BACK PANEL |
| 5 | 1 | TS7 | BACK SLIDER POLY |
| 6 | 1 | TS309 | BACK SLIDER |
| 7 | 1 | TS9 | REAR AUGER BUSHING |
| 8 | 8 | TS10 | SLIDER GUIDE |
| 9 | 4 | TS308 | SLIDER GUIDE THIN |
| 10 | 1 | TS11 | FRONT POLY SIDE |
| 11 | 1 | TS12 | FRONT SLIDE PLATE |
| 12 | 1 | TS14 | TRUNION HOUSING |
| 13 | 1 | TS15 | FRONT AUGER BEARING |
| * | 1 | TS399 | TRUNION WITH BEARING |
| 14 | 1 | 58557 | BASE, PERFECT HITCH |
| 15 | 1 | 58558 | BLOCK, V |
| 16 | 1 | GM73 | HITCH SHAFT |
| 17 | 1 | TS306 | JACK, SIDE WIND 7000# |
| 18 | 1 | TS19 | AUGER BACK COLLAR |
| 19 | 1 | TS207 | AUGER INDICATOR TOP |
| 20 | 1 | TS208 | AUGER INDICATOR BOTTOM |
| 21 | 2 | TS330 | TRUNION PIVOT BUSHING |
| 22 | 1 | TS33 | AUGER SPROCKET RUBBER GASKET SET |
| 23 | 1 | TS102 | TRUNION SPACER |
| 24 | 1 | SC40500 | SAFETY CHAIN 40,500 LB. RATING |
| 25 | 4 | G89 | STRAIGHT ZERK 1/4-28X90 |
| 26 | 1 | BFR28 | 1/8" NPT GREASE ZERK |

NOTE: * MEANS NOT SHOWN

FIGURE 1

AUGER/LINER/SLIDES/HITCH

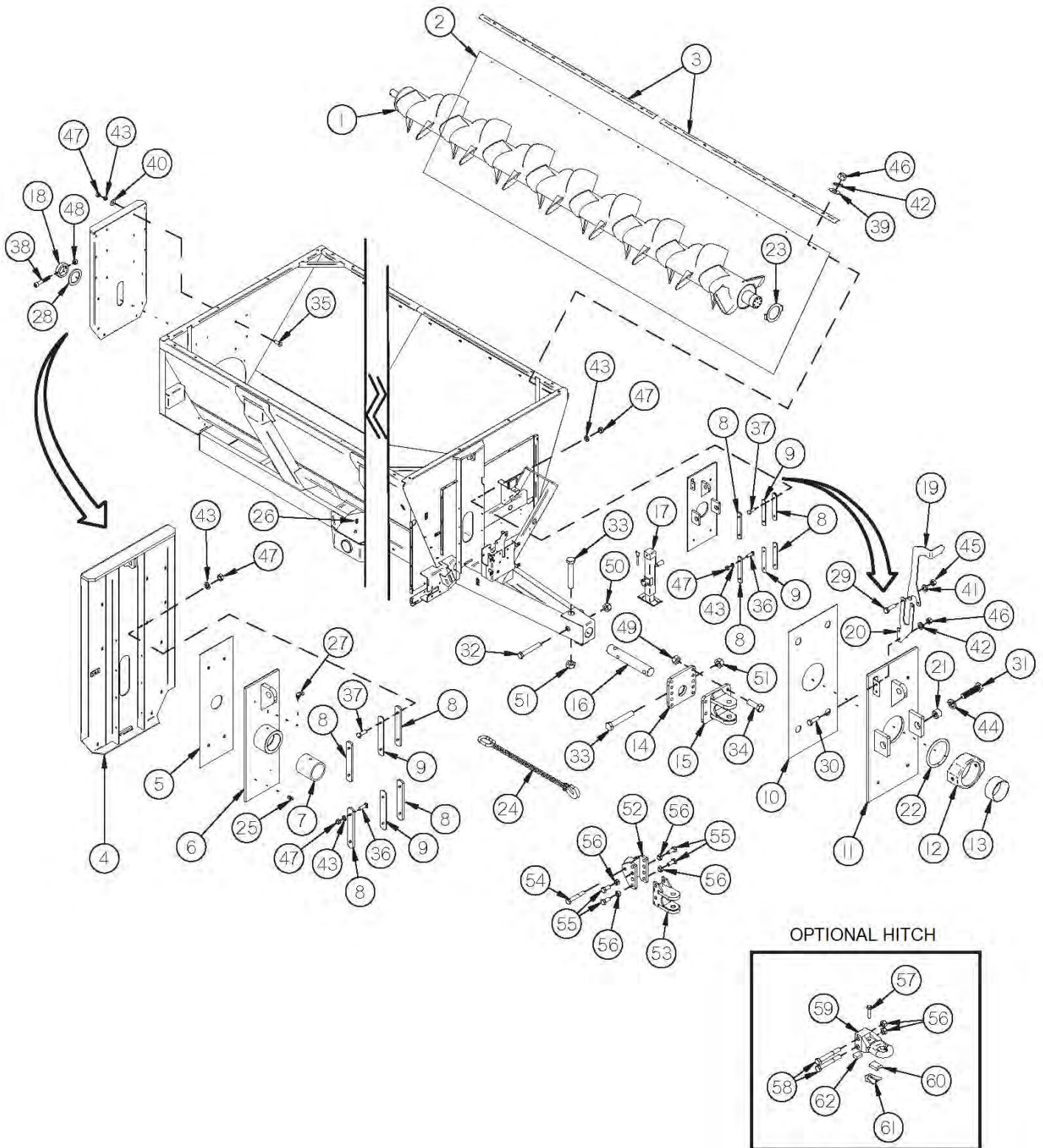


FIGURE 1

AUGER/LINER/SLIDES/HITCH

| <u>ITEM</u> | <u>QTY</u> | <u>PART #</u> | <u>DESCRIPTION</u> |
|-------------|------------|---------------|--|
| 27 | 1 | RG51 | 90° GREASE ZERK |
| 28 | A/R | TS227 | SPACER 2-17/32" (THICK) |
| * | A/R | TS28 | SPACER 2-17/32" (THIN) |
| 29 | 2 | YBHH08100 | BOLT, 1/4" X 3/4" GR. 5 |
| 30 | 2 | YBHH10105 | BOLT, 5/16" X 3/4" GR. 5 |
| 31 | 2 | YBHH20022 | BOLT, 5/8" X 1-3/4" GR. 8 |
| 32 | 1 | YBHH24083 | BOLT, 3/4" X 5" GR. 8 |
| 33 | 1 | YBHH32023 | BOLT, 1" X 5" GR. 8 |
| 34 | 4 | YBHH24031 | BOLT, HEX, 3/4-16 X 2-1/2, G8, ZY |
| 35 | 18 | YBCR12010 | CARR. BOLT, 3/8" X 1" GR. 5 |
| 36 | 8 | YBCR12020 | CARR. BOLT, 3/8" X 1-1/4" GR. 5 |
| 37 | 8 | YBCR12015 | CARR. BOLT, 3/8" X 1-1/2" GR. 5 |
| 38 | 1 | YSHS12018 | SOCKET HEAD CAP SCREW, 3/8" X 4" |
| 39 | 12 | YWFL10005 | WASHER, FLAT, 5/16" USS |
| 40 | 18 | YWFL12005 | WASHER, FLAT, 3/8" USS |
| 41 | 2 | YWLO08005 | WASHER, LOCK, 1/4" |
| 42 | 14 | YWLO10005 | WASHER, LOCK, 5/16" |
| 43 | 34 | YWLO12005 | WASHER, LOCK, 3/8" |
| 44 | 2 | YWLO20005 | WASHER, LOCK, 5/8" |
| 45 | 2 | YNHX08005 | HEX NUT, 1/4"-20 |
| 46 | 14 | YNHX10005 | HEX NUT, 5/16" |
| 47 | 34 | YNHX12005 | HEX NUT, 3/8"-16 |
| 48 | 1 | YNTL12005 | HEX NUT, TOP LOCK, 3/8"-16 |
| 49 | 4 | YNTL24010 | NUT, HEX, 3/4-16, LKTL, B, ZY |
| 50 | 1 | YNRL24005 | HEX NUT, REVERSIBLE-SIDE LOCK, 3/4"-10 |
| 51 | 2 | YNRL32005 | HEX NUT, REVERSIBLE-SIDE LOCK, 1"-8 |
| 52 | 1 | 58532 | PINTLE HITCH RECEIVER |
| 53 | 1 | 58538 | ADJUSTABLE CLEVIS |
| 54 | 1 | YBHH32028 | BOLT, 1" X 6-1/2" GR. 8 (YELLOW ZINC) |
| 55 | 4 | YBHH32008 | BOLT, 1"-8 X 2-1/4" GR. 5 |
| 56 | 6 | YNTL32005 | NUT, HEX, 1-8, LKTL, C, ZC |
| 57 | 1 | YBHH24051 | BOLT, HEX, FT, 3/4-10 X 3, G5, ZC |
| 58 | 2 | YBHH32034 | BOLT, HEX, 1-8 X 7-1/2, G8, ZY |
| 59 | 1 | 58557 | BASE, PERFECT HITCH |
| 60 | 1 | 58558 | BLOCK, V |
| 61 | 1 | 58559 | PLATE, TOP |
| 62 | 1 | 58554 | CUSHION |

**NOTE: * MEANS NOT SHOWN
A/R: MEANS AS REQUIRED**

FIGURE 2

AUGER DRIVE

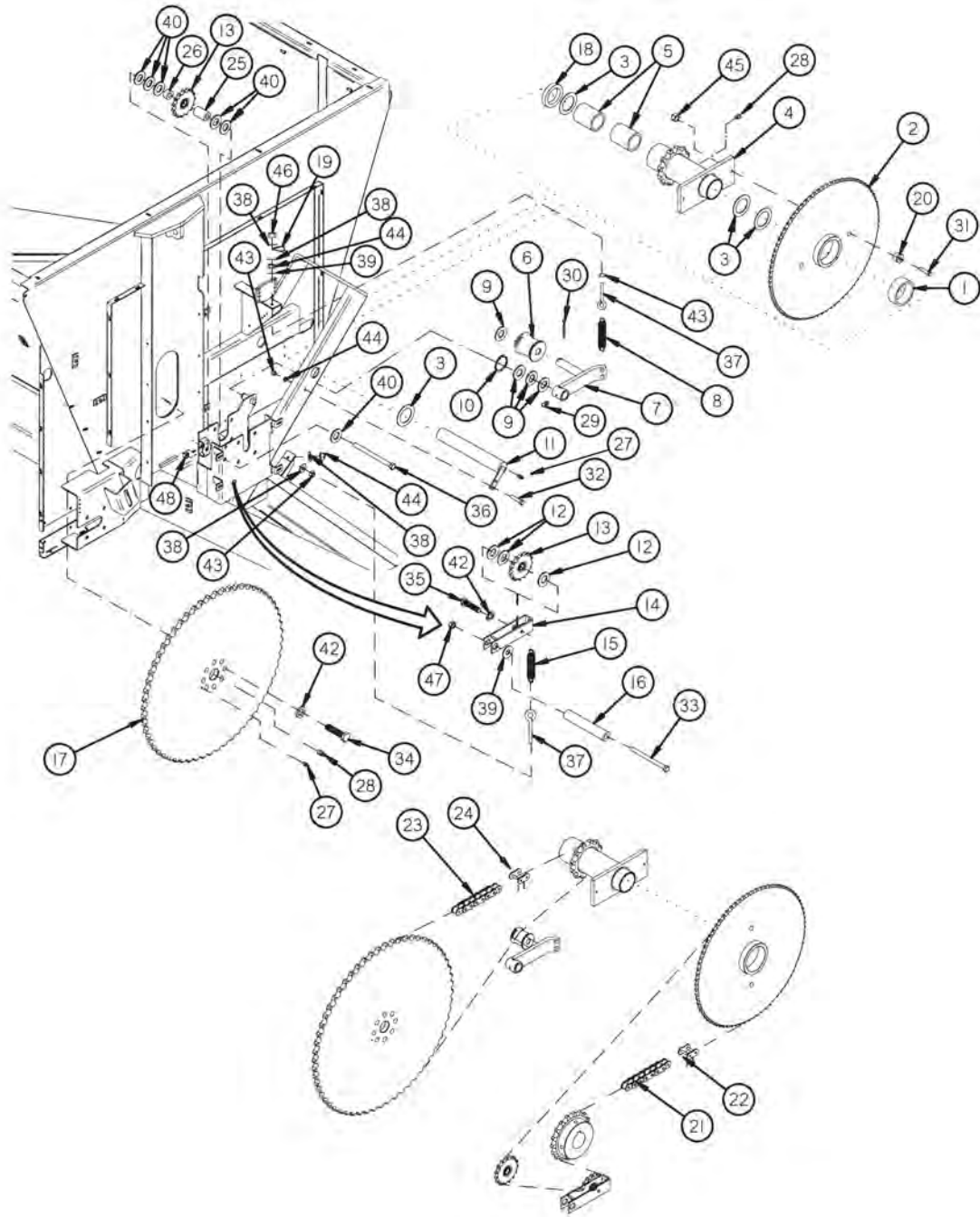


FIGURE 2

AUGER DRIVE

| <u>ITEM</u> | <u>QTY</u> | <u>PART #</u> | <u>DESCRIPTION</u> |
|-------------|------------|---------------|--|
| 1 | 1 | TS20 | BUSHING/BRONZE |
| 2 | 1 | TS21 | SPROCKET/ASSY 80T (STANDARD 540 RPM) |
| * | 1 | TS312 | SPROCKET/ASSY 119T (STANDARD 1000 RPM) |
| 3 | A/R | TS22 | SPACER, 2" |
| * | A/R | 56N183 | SPACER |
| 4 | 1 | TS23 | COUNTER SHAFT ASSEMBLY |
| 5 | 2 | 73572 | BRZ, BSH, 2.00 X 2.50 X 3.00 |
| 6 | 1 | TS25 | ROLLER IDLER |
| 7 | 1 | TS26 | AUGER CHAIN TENSIONER |
| 8 | 1 | BFR138 | SPRING |
| 9 | 3 | S345 | 1" SPACER |
| 10 | 1 | 3G21 | SNAP RING |
| 11 | 1 | 73569 | WLDMT, SHAFT, COUNTER |
| 12 | A/R | T73 | SPACER |
| * | A/R | 16SV49 | SPACER |
| 13 | 2 | TS29 | SPROCKET/IDLER ASSY |
| 14 | 1 | TS30 | IDLER ASSY |
| 15 | 1 | ST36 | SPRING/EXTENSION |
| * | 1 | GM410 | SPRING (1000 RPM ONLY) |
| 16 | 1 | TS31 | TENSIONER PIVOT TUBE |
| 17 | 1 | TS32 | SPROCKET #100x60T ASSY |
| 18 | 1 | TS328 | REDUCTION LARGE SPACER |
| 19 | 1 | HGV72 | SMALL TUBE HOLDER |
| 20 | 2 | TS34 | HARDENED SHEAR BUSHING |
| 21 | 1 | TS39 | CHAIN/ROLLER #60HE X 138 (540 RPM - 18T & 15T SPROCKETS) |
| * | 1 | TS360 | CHAIN/ROLLER #60HE X 136 (540 RPM - 13T SPROCKET) |
| * | 1 | TS361 | CHAIN/ROLLER #60HE X 140 (540 RPM - 20T SPROCKET) |
| * | 1 | TS313 | CHAIN/ROLLER #60HE X 166 (1000 RPM - 15T SPROCKET) |
| * | 1 | TS362 | CHAIN/ROLLER #60HE X 165 (1000 RPM - 13T SPROCKET) |
| * | 1 | TS363 | CHAIN/ROLLER #60HE X 167 (1000 RPM - 16T SPROCKET) |

NOTE: * MEANS NOT SHOWN

FIGURE 2

AUGER DRIVE

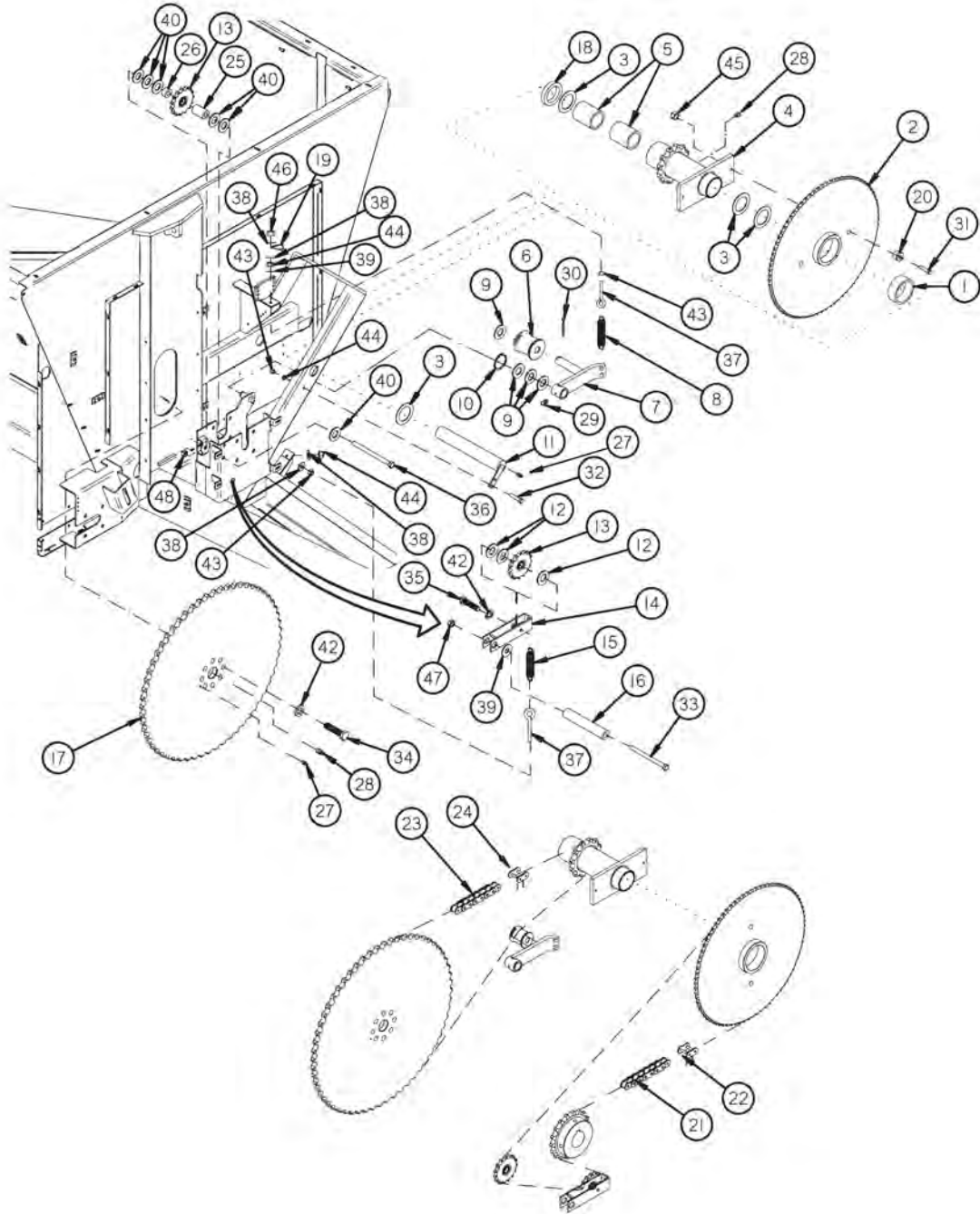


FIGURE 2

AUGER DRIVE

| <u>ITEM</u> | <u>QTY</u> | <u>PART#</u> | <u>DESCRIPTION</u> |
|-------------|------------|--------------|---|
| 22 | 1 | TS40 | LINK/CONNECTOR #60HE |
| 23 | 1 | TS41 | CHAIN/ROLLER #100HE X 75 |
| 24 | 1 | TS42 | LINK/CONNECTOR #100HE |
| 25 | 1 | TS396 | IDLER FRONT SPACER |
| 26 | 1 | TS397 | IDLER REAR SPACER |
| 27 | 2 | G89 | GREASE ZERK |
| 28 | 2 | BFR28 | 1/8" NPT GREASE ZERK #1610 |
| 29 | 1 | RG51 | 1/4"-28 90° GREASE ZERK #1911 |
| 30 | 1 | YPCT06005 | COTTER PIN, 3/16" X 1-1/2" |
| 31 | 2 | YBHH10036 | BOLT, 5/16" X 1-1/2" GR. 8 YELLOW ZINC |
| * | 4 | YBHH10036 | BOLT, 5/16" X 1-1/2" GR. 8 YELLOW ZINC |
| 32 | 1 | YBHH12100 | BOLT, 3/8" X 2-1/4" GR. 5 |
| 33 | 1 | YBHH16175 | BOLT, 1/2" X 6-1/2" GR. 5 |
| 34 | 8 | YBHH20036 | BOLT, 5/8" X 2-1/2" GR. 8 YELLOW ZINC |
| 35 | 1 | YBHH20025 | BOLT, 5/8" X 2" GR. 5 |
| 36 | 1 | YBHH20100 | BOLT, 5/8" X 6" GR. 5 |
| 37 | 2 | YBTE12025 | TURNED EYE BOLT, 3/8" X 3" FULL THREAD |
| 38 | 4 | YWFL12005 | WASHER, FLAT, 3/8" USS |
| 39 | 2 | YWFL16005 | WASHER, FLAT, 1/2" USS |
| 40 | A/R | YWFL20005 | WASHER, FLAT, 5/8" USS |
| 41 | 1 | YWLO12005 | WASHER, LOCK, 3/8" |
| 42 | 9 | YWLO20005 | WASHER, LOCK, 5/8" |
| 43 | 3 | YNHX12005 | HEX NUT, 3/8"-16 |
| 44 | 2 | YNNY12005 | HEX NUT, NYLON LOCKNUT, 3/8" |
| 45 | 2 | YNTL10005 | HEX NUT, TOP LOCK, 5/16"-18 |
| 46 | 1 | YNTL12005 | HEX NUT, TOP LOCK, 3/8"-16 |
| 47 | 1 | YNTJ16005 | HEX NUT, TOP LOCK, JAM, 1/2"-13 |
| 48 | 1 | YNTJ20005 | HEX NUT, TOP LOCK, JAM, 5/8"-11, ZINC FINISH GRADE A |

NOTE: * MEANS NOT SHOWN
A/R: MEANS AS REQUIRED

FIGURE 3

EXPELLER/DISCHARGE GATE/BEARINGS

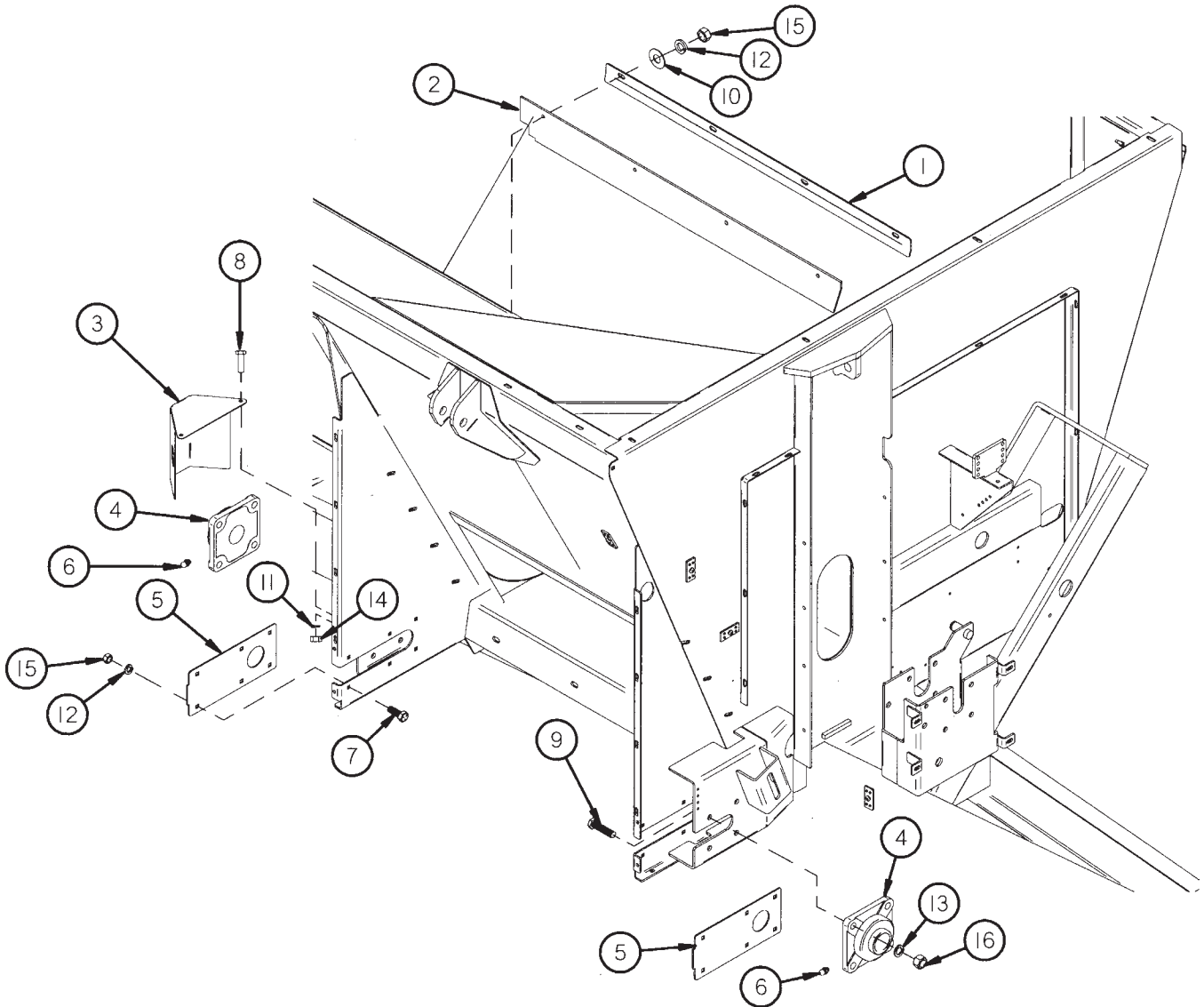


FIGURE 3

EXPELLER/DISCHARGE GATE/BEARINGS

| <u>ITEM</u> | <u>QTY</u> | <u>PART #</u> | <u>DESCRIPTION</u> |
|-------------|------------|---------------|-----------------------------|
| 1 | 1 | TS43 | DOOR SEAL CLAMP |
| 2 | 1 | TS44 | EXPELLER DOOR TOP SEAL |
| 3 | 1 | TS45 | EXPELLER BEARING SHIELD |
| 4 | 2 | HGV41 | EXPELLER BEARING |
| 5 | 2 | TS47 | COVER PLATE |
| 6 | 2 | G89 | GREASE ZERK |
| 7 | 12 | YBCR12010 | CARR. BOLT, 3/8" X 1" GR. 5 |
| 8 | 2 | YBHH08100 | BOLT, 1/4" X 3/4" GR. 5 |
| 9 | 8 | YBHH18010 | BOLT, 9/16" X 1-3/4" GR. 5 |
| 10 | 4 | YWFL12005 | WASHER, FLAT, 3/8" USS |
| 11 | 2 | YWLO08005 | WASHER, LOCK, 1/4" |
| 12 | 16 | YWLO12005 | WASHER, LOCK, 3/8" |
| 13 | 8 | YWLO18005 | WASHER, LOCK, 9/16" |
| 14 | 2 | YNHX08005 | HEX NUT, 1/4"-20 |
| 15 | 16 | YNHX12005 | HEX NUT, 3/8"-16 |
| 16 | 8 | YNHX18005 | HEX NUT, 9/16"-12 |

FIGURE 4
EXPELLER/DISCHARGE GATE/DOOR

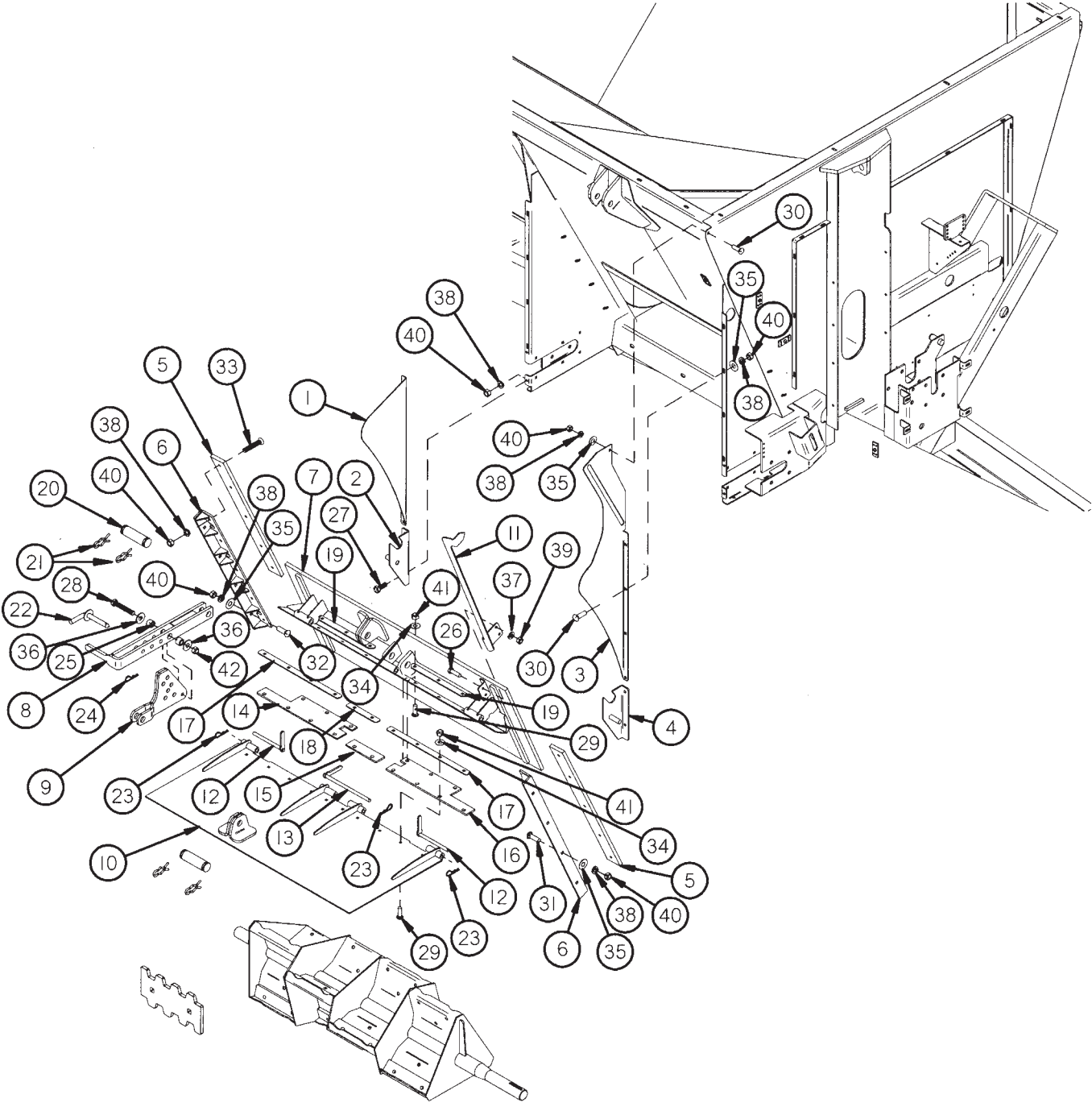


FIGURE 4

EXPELLER/DISCHARGE GATE/DOOR

| <u>ITEM</u> | <u>QTY</u> | <u>PART #</u> | <u>DESCRIPTION</u> |
|-------------|------------|---------------|---|
| 1 | 1 | TS48 | EXPELLER PANEL EXTENSION LEFT HAND |
| 2 | 1 | TS49 | PAN HINGE BRACKET LEFT |
| 3 | 1 | TS50 | EXPELLER PANEL EXTENSION RIGHT HAND |
| 4 | 1 | TS51 | PAN HINGE BRACKET RIGHT |
| 5 | 2 | TS52 | DOOR SLIDER POLY |
| 6 | 2 | TS53 | EXPELLER DOOR GUIDE |
| 7 | 1 | TS54 | EXPELLER DOOR |
| 8 | 1 | TS55 | DEFLECTOR ADJUSTMENT HANDLE |
| 9 | 1 | TS56 | DEFLECTOR ADJUSTMENT LINK |
| 10 | 1 | TS57 | ADJUSTABLE FLAT DEFLECTOR |
| 11 | 1 | TS58 | DOOR INDICATOR |
| 12 | 2 | TS59 | DEFLECTOR SIDE PIN |
| 13 | 1 | TS60 | DEFLECTOR MID PIN |
| 14 | 1 | TS61 | DEFLECTOR SEAL LEFT |
| 15 | 1 | TS62 | DEFLECTOR SEAL MID |
| 16 | 1 | TS63 | DEFLECTOR SEAL RIGHT |
| 17 | 2 | TS64 | SEAL STRAP LONG |
| 18 | 1 | TS65 | SEAL STRAP MID |
| 19 | 2 | TS66 | SEAL STRAP SHORT |
| 20 | 2 | T143 | CYLINDER PIN |
| 21 | 4 | T144 | CLIP PIN |
| 22 | 1 | TS69 | CASTER LOCKING PIN |
| 23 | 3 | YPHR02005 | HAIR PIN |
| 24 | 1 | WM378 | HAIR PIN W/ LANYARD |
| 25 | 2 | TS307 | HANDLE PIVOT |
| 26 | 2 | YBHH10105 | BOLT, 5/16" X 3/4" GR. 5 |
| 27 | 4 | YBHH12010 | BOLT, 3/8" X 1" GR. 5 |
| 28 | 1 | YBHH16105 | BOLT, 1/2" X 3" GR. 5 |
| 29 | 16 | YBCR10010 | CARR. BOLT, 5/16" X 1" GR. 5 |
| 30 | 9 | YBCR12010 | CARR. BOLT, 3/8" X 1" GR. 5 |
| 31 | 7 | YBCR12020 | CARR. BOLT, 3/8" X 1-1/4" GR. 5 |
| 32 | 1 | YBCR12015 | CARR. BOLT, 3/8" X 1-1/2" GR. 5 |
| 33 | 10 | YSFS12005 | FLAT HEAD SOCKET CAP SCREW, 3/8" X 1-1/4" |
| 34 | 16 | YWFL10005 | WASHER, FLAT, 5/16" USS |
| 35 | 17 | YWFL12005 | WASHER, FLAT, 3/8" USS |
| 36 | 2 | YWFL16005 | WASHER, FLAT, 1/2" USS |
| 37 | 2 | YWLO10005 | WASHER, LOCK, 5/16" |
| 38 | 31 | YWLO12005 | WASHER, LOCK, 3/8" |
| 39 | 2 | YNHX10005 | HEX NUT, 5/16" |
| 40 | 31 | YNHX12005 | HEX NUT, 3/8"-16 |
| 41 | 16 | YNTL10005 | HEX NUT, TOP LOCK, 5/16"-18 |
| 42 | 1 | YNTL16005 | HEX NUT, TOP LOCK, 1/2"-13 |

FIGURE 5

EXPELLER/DISCHARGE GATE/PAN

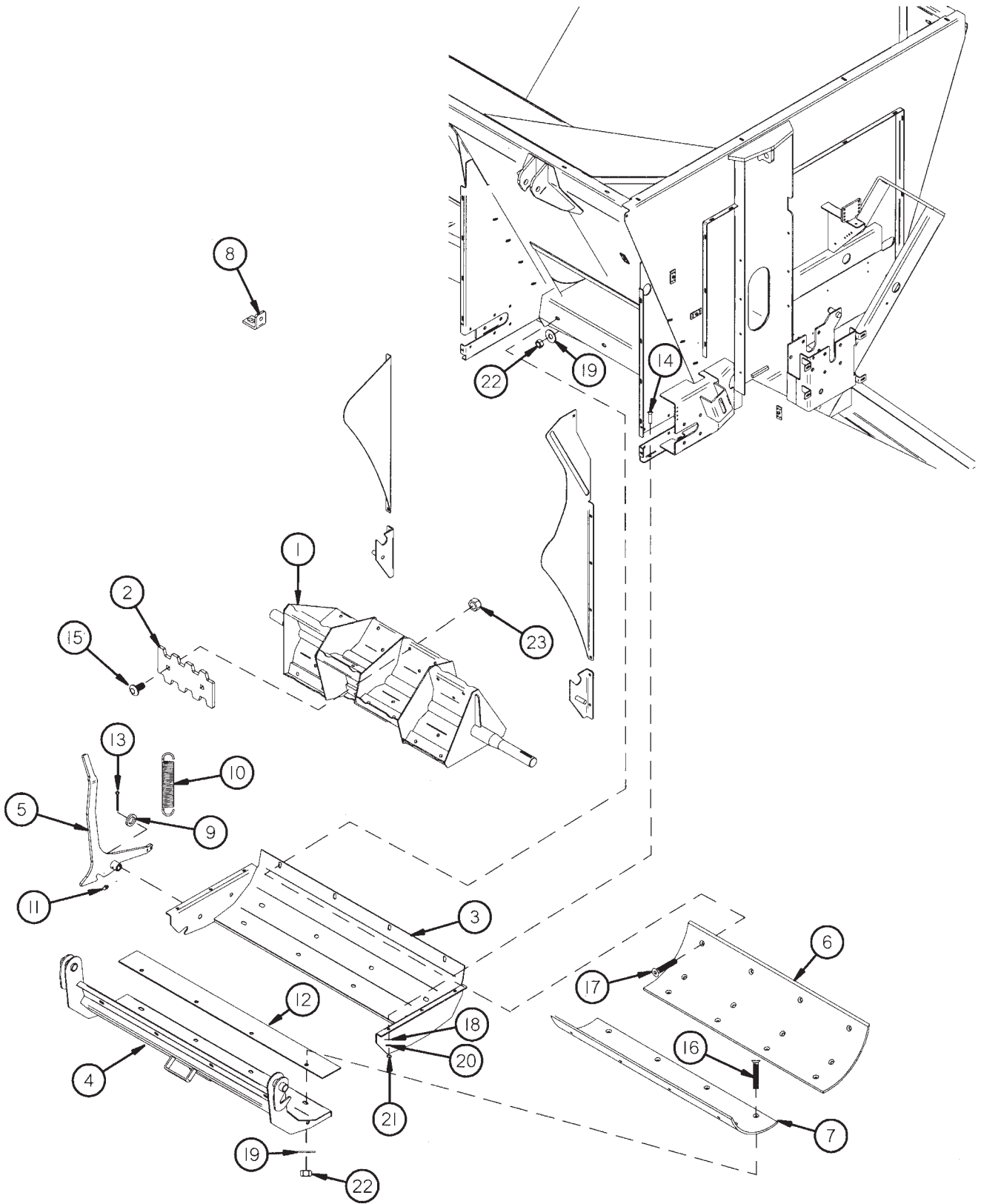


FIGURE 5

EXPELLER/DISCHARGE GATE/PAN

| <u>ITEM</u> | <u>QTY</u> | <u>PART #</u> | <u>DESCRIPTION</u> |
|-------------|------------|---------------|---|
| 1 | 1 | 69616 | EXPELLER |
| 2 | 12 | TS68 | EXPELLER PADDLE |
| 3 | 1 | TS72 | SWING AWAY PAN FRAME |
| 4 | 1 | TS73 | SWING AWAY PAN |
| 5 | 1 | TS74 | PAN LATCH HANDLE |
| 6 | 1 | TS75 | EXPELLER BACK POLY |
| 7 | 1 | TS76 | EXPELLER PAN POLY |
| 8 | 1 | 56N146 | SHIELD ANGLE |
| 9 | 3 | T73 | SPACER |
| 10 | 1 | K103 | SPRING |
| 11 | 1 | G89 | GREASE ZERK |
| 12 | 1 | TS18 | PAN RUBBER SEAL |
| 13 | 1 | YPCT06010 | COTTER PIN, 3/16" X 1-1/4" |
| 14 | 6 | YBCR10010 | CARR. BOLT, 5/16" X 1" GR. 5 |
| 15 | 24 | YBCR16019 | SHAKER SCREEN BOLT, 1/2" X 1-3/4" GR. 8 |
| 16 | 20 | YSFS16010 | FLAT HEAD SOCKET CAP SCREW, 1/2" X 1-1/2" |
| 17 | 4 | YSFS16020 | FLAT HEAD SOCKET CAP SCREW, 1/2" X 1-3/4" |
| 18 | 6 | YWFL10005 | WASHER, FLAT, 5/16" USS |
| 19 | 24 | YWFL16005 | WASHER, FLAT, 1/2" USS |
| 20 | 6 | YWLO10005 | WASHER, LOCK, 5/16" |
| 21 | 6 | YNHX10005 | HEX NUT, 5/16" |
| 22 | 24 | YNRL16005 | HEX NUT, REVERSIBLE-SIDE LOCK, 1/2"-13 |
| 23 | 24 | YNTL16006 | HEX NUT, TOP LOCK, 1/2"-13 GR. 9 |

FIGURE 6

INPUT SHAFT/EXPELLER DRIVE

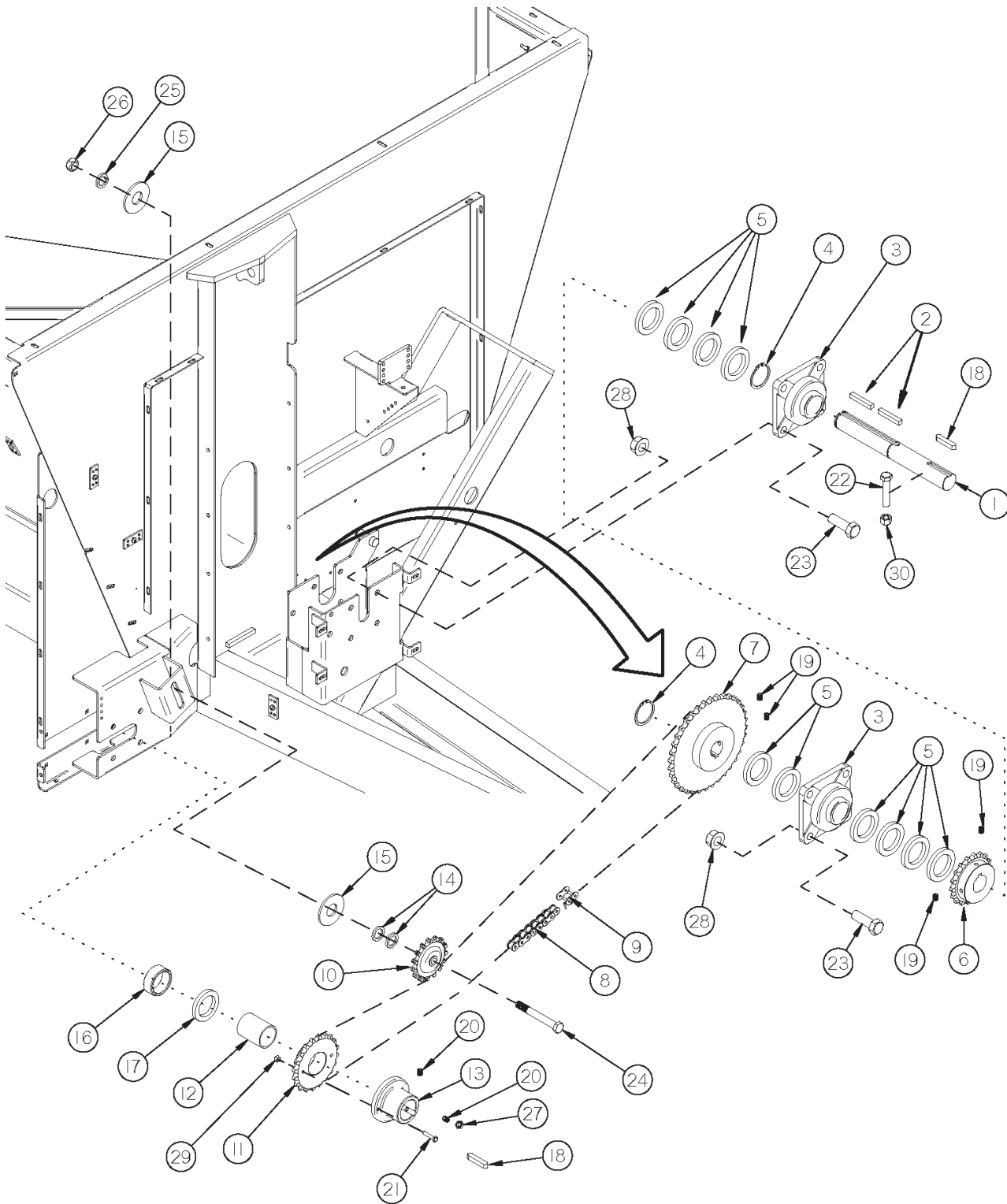


FIGURE 6

INPUT SHAFT/EXPELLER DRIVE

| <u>ITEM</u> | <u>QTY</u> | <u>PART #</u> | <u>DESCRIPTION</u> |
|-------------|------------|---------------|--|
| 1 | 1 | 57392 | INPUT SHAFT |
| 2 | 2 | 68856 | KEY, SQUARE, 3/8" X 1-1/4" |
| 3 | 2 | 12V99 | BEARING |
| 4 | 2 | 12V62 | SNAP RING |
| 5 | A/R | 16SV374 | SPACER |
| * | A/R | 16SV375 | SPACER |
| * | A/R | 16SV439 | SPACER |
| * | 1 | 33SV29 | SPACER |
| 6 | 1 | TS35 | SPROCKET/60B18 (STANDARD - 540 RPM) |
| * | 1 | TS36 | SPROCKET/ASSY 13T (OPTIONAL - 540 RPM & 1000 RPM) |
| * | 1 | TS37 | SPROCKET/60B15T (OPT. - 540 RPM) (STANDARD - 1000 RPM) |
| * | 1 | TS38 | SPROCKET/60B20 (OPTIONAL - 540 RPM) |
| * | 1 | TS364 | SPROCKET/60B16 (OPTIONAL - 1000 RPM) |
| 7 | 1 | TS79 | SPROCKET/60B36 (STANDARD - 540 RPM) |
| * | 1 | TS80 | SPROCKET/EXP DRIVE ASSY 30T (OPTIONAL - 540 RPM) |
| * | 1 | TS81 | SPROCKET/60X27T (OPTIONAL - 540 RPM) |
| * | 1 | TS38 | SPROCKET/60B20 (OPTIONAL - 1000 RPM) |
| * | 1 | TS318 | SPROCKET/ASSY 16T (OPTIONAL - 1000 RPM) |
| * | 1 | TS365 | SPROCKET/ASSY 15T (OPTIONAL - 1000 RPM) |
| * | 1 | TS366 | SPROCKET/ASSY 13T (OPTIONAL - 1000 RPM) |
| 8 | 1 | TS82 | CHAIN/ROLLER #60HE X 100 (540 RPM - 36T SPROCKET) |
| * | 1 | TS367 | CHAIN/ROLLER #60HE X 97 (540 RPM - 30T SPROCKET) |
| * | 1 | TS368 | CHAIN/ROLLER #60HE X 96 (540 RPM - 27T SPROCKET) |
| * | 1 | TS316 | CHAIN/ROLLER #60HE X 92 (1000 RPM - 20T SPROCKET) |
| * | 1 | TS369 | CHAIN/ROLLER #60HE X 90 (1000 RPM - 16T SPROCKET) |
| * | 1 | TS370 | CHAIN/ROLLER #60HE X 89 (1000 RPM - 15T SPROCKET) |
| * | 1 | TS371 | CHAIN/ROLLER #60HE X 88 (1000 RPM - 13T SPROCKET) |

NOTE: * MEANS NOT SHOWN

A/R: MEANS AS REQUIRED

FIGURE 6

INPUT SHAFT/EXPELLER DRIVE

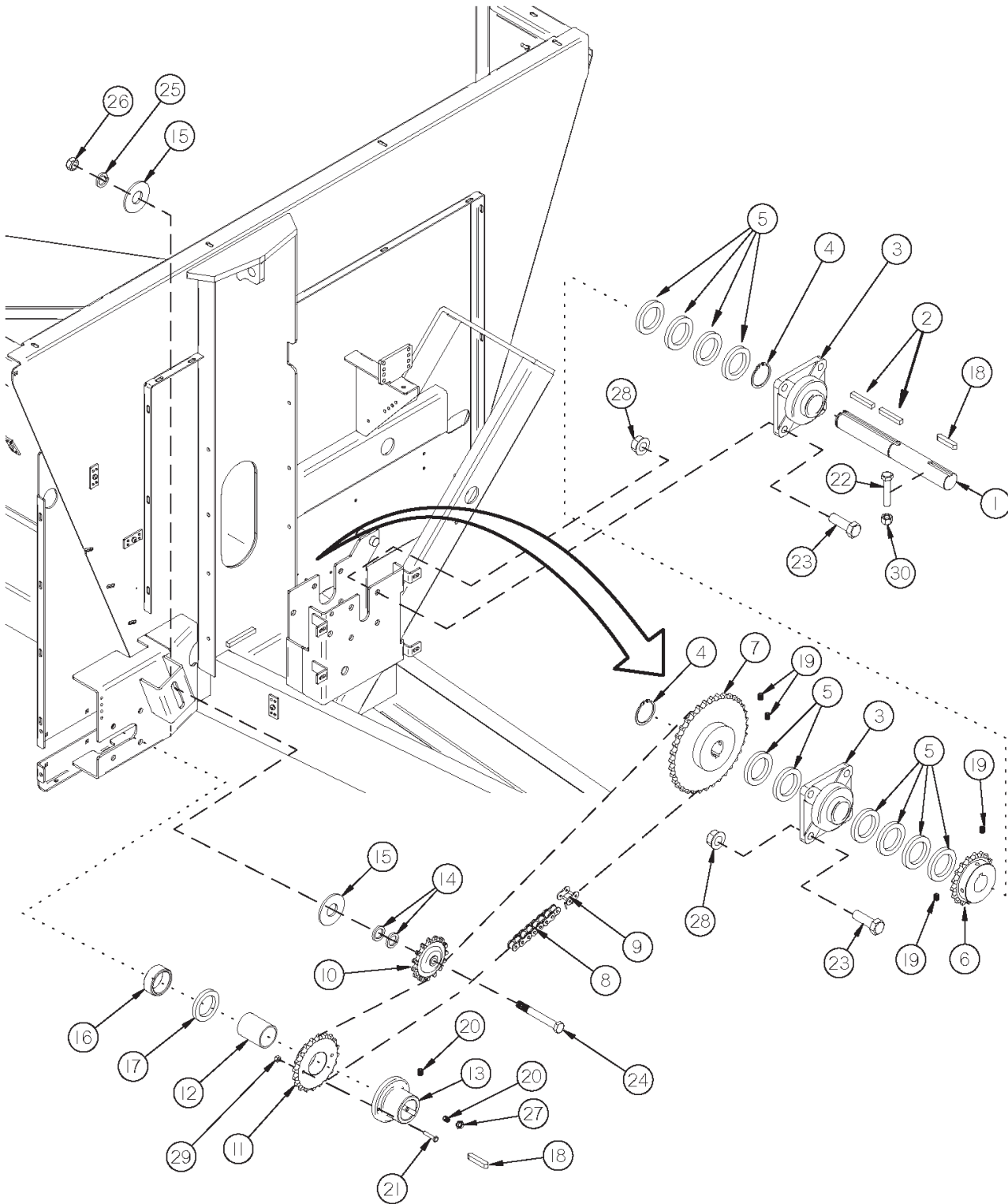


FIGURE 6

INPUT SHAFT/EXPELLER DRIVE

| <u>ITEM</u> | <u>QTY</u> | <u>PART #</u> | <u>DESCRIPTION</u> |
|-------------|------------|---------------|--|
| 9 | 1 | TS40 | LINK/CONNECTOR #60HE |
| 10 | 1 | TS29 | SPROCKET/IDLER ASSY |
| 11 | 1 | TS84 | SPROCKET/ASSY 20T |
| 12 | 1 | TS85 | BUSHING/BRONZE |
| 13 | 1 | TS86 | EXPELLER SOLID SHEAR HUB |
| 14 | A/R | T73 | SPACER |
| 15 | 2 | F129 | TIGHTENER WASHER |
| 16 | 1 | TS329 | EXPELLER DRIVE SPACER |
| 17 | A/R | S36 | SHIM, 3/16" THICK |
| * | A/R | S409 | SHIM, 1/8" THICK |
| 18 | 2 | S138 | 3/8" X 2-3/8" SQ. KEY W/ ROUND ENDS |
| 19 | 4 | YSKP10010 | SET SCREW, SOCKET, KNURLED CUP PT, 5/16" - 18 X 3/8" |
| 20 | 2 | YSKP12010 | SET SCREW, SOCKET, KNURLED CUP PT, 3/8"-16 X 1/2" |
| 21 | 2 | YBHH08027 | BOLT, 1/4" X 1-1/2" GR. 8 YELLOW ZINC |
| * | 4 | YBHH08027 | BOLT, 1/4" X 1-1/2" GR. 8 YELLOW ZINC |
| 22 | 1 | YBHH16080 | BOLT, 1/2" X 2 - 1/2" GR. 5 (540 RPM PTO) |
| 23 | 8 | YBHH18005 | BOLT, 9/16" X 1-1/2" GR. 5 |
| 24 | 1 | YBHH20055 | BOLT, 5/8" X 3-1/2" GR. 5 |
| 25 | 1 | YWLO20005 | WASHER, LOCK, 5/8" |
| 26 | 1 | YNHX20005 | HEX NUT, 5/8"-11 |
| 27 | 1 | YNJM12005 | HEX NUT, JAM, 3/8"-16 |
| 28 | 8 | YNFG18005 | SERRATED FLANGE NUT, 9/16" |
| 29 | 2 | YNTL08005 | HEX NUT, TOP LOCK, 1/4"-20 |
| 30 | 1 | YNTL16005 | HEX NUT, TOP LOCK, 1/2" - 13 (540 RPM PTO) |

NOTE: * MEANS NOT SHOWN

A/R: MEANS AS REQUIRED

FIGURE 7

GUARDS/SHIELDS

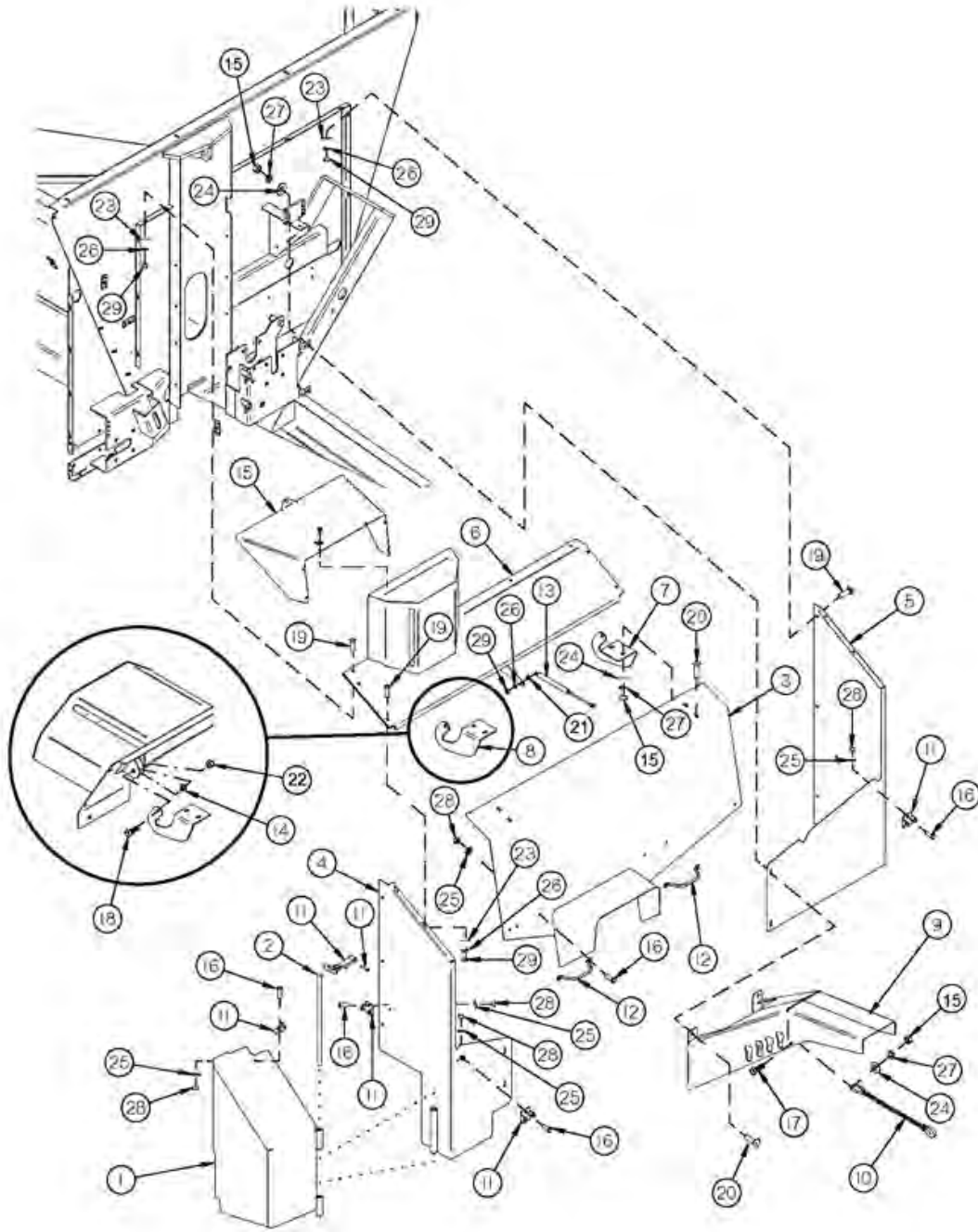


FIGURE 7

GUARDS/SHIELDS

| <u>ITEM</u> | <u>QTY</u> | <u>PART #</u> | <u>DESCRIPTION</u> |
|-------------|------------|---------------|---|
| 1 | 1 | TS87 | EXPELLER DRIVE SHIELD |
| 2 | 1 | TS88 | EXPELLER SHIELD HINGE |
| 3 | 1 | TS89 | FRONT SHIELD DOOR |
| 4 | 1 | TS90 | FRONT SHIELD RIGHT SIDE |
| 5 | 1 | TS91 | FRONT SHIELD LEFT SIDE |
| 6 | 1 | TS92 | FRONT SHIELD TOP |
| 7 | 1 | TS93 | FRONT SHIELD HINGE RIGHT |
| 8 | 1 | TS94 | FRONT SHIELD HINGE LEFT |
| 9 | 1 | TS95 | HOSE HOLDER |
| 10 | 1 | TS130 | CHAIN PTO HOLDER |
| 11 | 12 | X233 | COMPLETE LATCH |
| 12 | 2 | TS96 | SHIELD HANDLE |
| 13 | 1 | TS97 | GAS SPRING 100 LBS FORCE 13.74" EXT LNG |
| 14 | 4 | TS331 | SPACER |
| 15 | 9 | YNHX12005 | HEX NUT, 3/8"-16 |
| 16 | 8 | YBHH08015 | BOLT, 1/4" X 1/2" GR. 5 |
| 17 | 1 | YBHH12010 | BOLT, 3/8" X 1" GR. 5 |
| 18 | 2 | YBHH12035 | BOLT, 3/8" X 1-1/4" GR. 5 |
| 19 | 13 | YBCR10030 | CARR. BOLT, 5/16" X 3/4" GR. 5 |
| 20 | 8 | YBCR12010 | CARR. BOLT, 3/8" X 1" GR. 5 |
| 21 | 2 | YNJM10005 | HEX NUT, JAM, 5/16" |
| 22 | 2 | YNL12005 | HEX NUT, TOP LOCK, 3/8"-16 |
| 23 | 13 | YWFL10005 | WASHER, FLAT, 5/16" USS |
| 24 | 9 | YWFL12005 | WASHER, FLAT, 3/8" USS |
| 25 | 8 | YWLO08005 | WASHER, LOCK, 1/4" |
| 26 | 13 | YWLO10005 | WASHER, LOCK, 5/16" |
| 27 | 9 | YWLO12005 | WASHER, LOCK, 3/8" |
| 28 | 8 | YNHX08005 | HEX NUT, 1/4"-20 |
| 29 | 13 | YNHX10005 | HEX NUT, 5/16" |

FIGURE 8
SPLASH GUARDS/RAILS

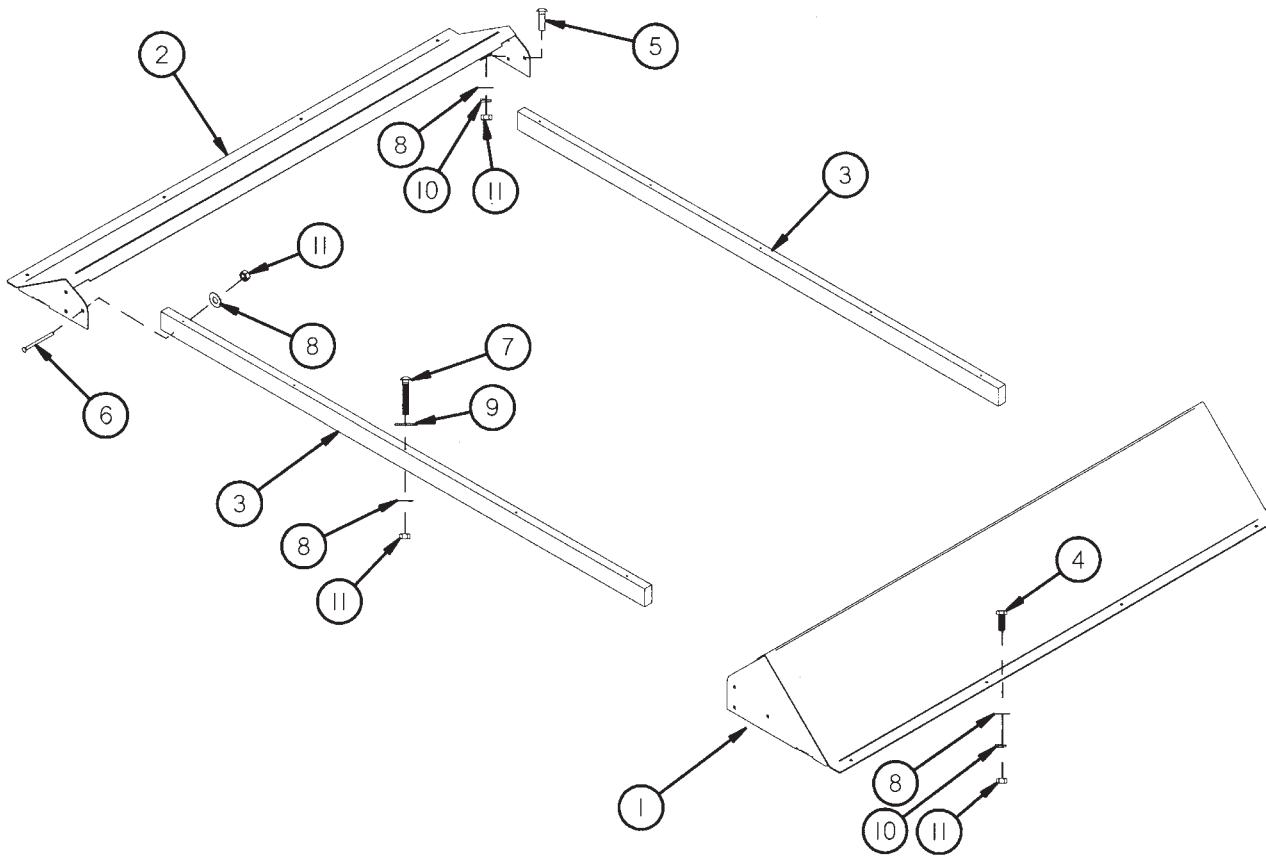


FIGURE 8

SPLASH GUARDS/RAILS

| <u>ITEM</u> | <u>QTY</u> | <u>PART #</u> | <u>DESCRIPTION</u> |
|-------------|------------|---------------|---------------------------------|
| 1 | 1 | TS310 | SPLASH GUARD |
| 2 | 1 | TS311 | BACK SPLASH GUARD |
| 3 | 2 | TS100 | WOOD RAIL |
| 4 | 8 | YBHH12010 | BOLT, 3/8" X 1" GR. 5 |
| 5 | 4 | YBCR12010 | CARR. BOLT, 3/8" X 1" GR. 5 |
| 6 | 12 | YBCR12080 | CARR. BOLT, 3/8" X 3-1/4" GR. 5 |
| 7 | 10 | YBCR12123 | CARR. BOLT, 3/8" X 6-1/2" GR. 5 |
| 8 | 34 | YWFL12005 | WASHER, FLAT, 3/8" USS |
| 9 | 10 | YWFL16005 | WASHER, FLAT, 1/2" USS |
| 10 | 12 | YWLO12005 | WASHER, LOCK, 3/8" |
| 11 | 34 | YNHX12005 | HEX NUT, 3/8"-16 |

NOTE: * MEANS NOT SHOWN

FIGURE 9

HYDRAULICS

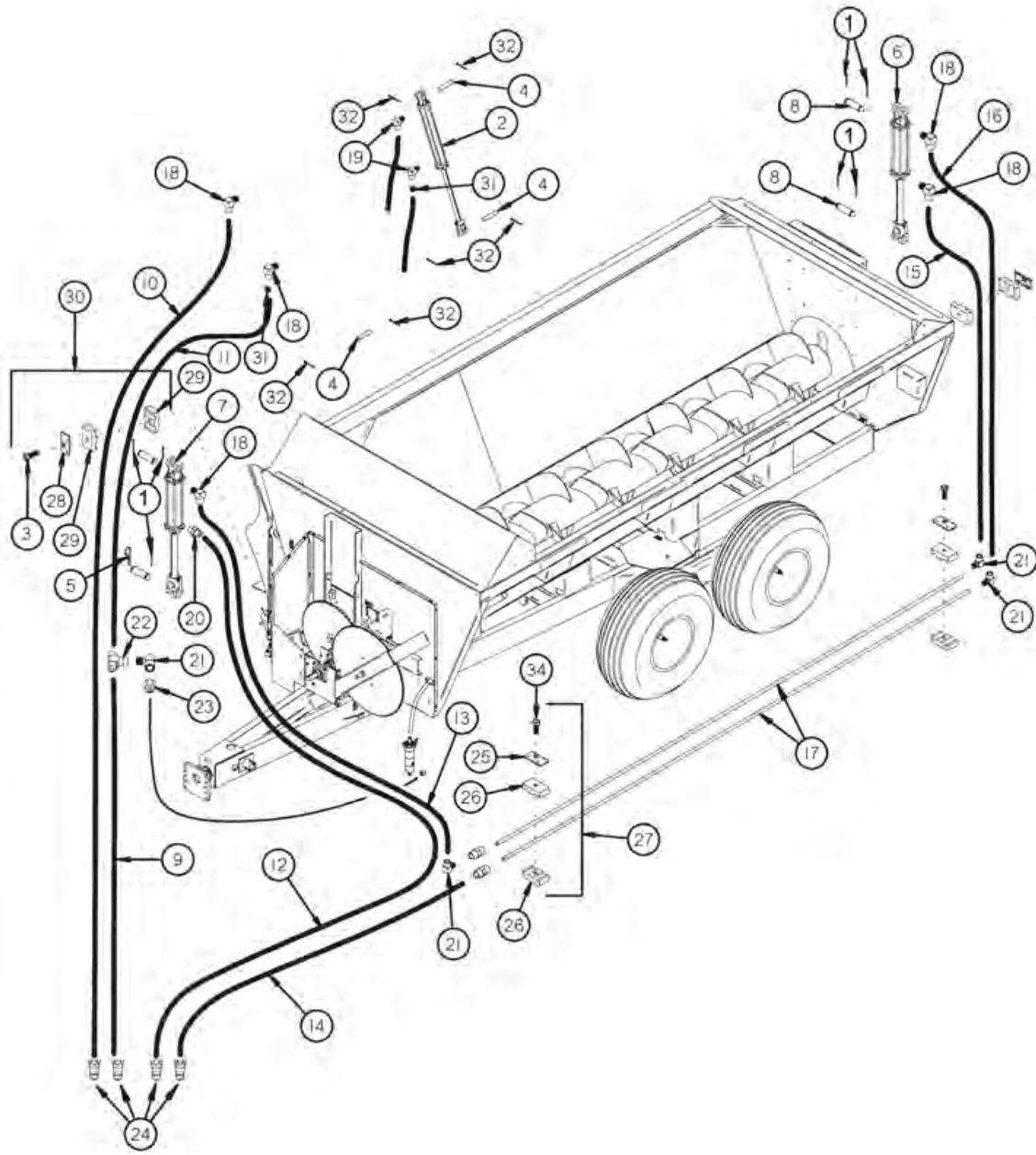


FIGURE 9

HYDRAULICS

| <u>ITEM</u> | <u>QTY</u> | <u>PART #</u> | <u>DESCRIPTION</u> |
|-------------|------------|---------------|---|
| 1 | 7 | YPCT06005 | COTTER PIN, 3/16" X 1-1/2" |
| 2 | 1 | 23N111A | 2 X 16 CYLINDER |
| * | 1 | 56015 | 2 X 16 CYLINDER |
| 3 | 15 | YBHH10030 | BOLT, 5/16" X 1-1/2" GR. 5 |
| 4 | 2 | LW55 | CYLINDER PIN |
| 5 | 1 | YPHR02010 | HAIR PIN |
| 6 | 1 | TS105 | 3-1/4 X 8 CYLINDER |
| 7 | 1 | TS104 | 3 x 8 CYLINDER |
| 8 | 4 | T143 | CYLINDER PIN |
| 9 | 1 | TS110 | HYD. HOSE 1/2" X 99" -8 JIC FEMALE SWIVEL & 1/2 MP |
| 10 | 1 | TS107 | HYD. HOSE 1/2" X 197" -8 JIC FEMALE SWIVEL & 1/2 MP |
| 11 | 1 | TS109 | HYD. HOSE 1/2" X 94" -8 JIC FEMALE SWIVEL & -8 JIC FEMALE SWIVEL |
| 12 | 1 | TS111 | HYD. HOSE 1/2" X 162" -8 JIC FEMALE & 1/2 MP |
| 13 | 1 | TS112 | HYD. HOSE 1/2" X 56" -8 JIC FEMALE SWIVEL & -8 JIC MALE HYD. HOSE |
| 14 | 1 | TS113 | 1/2" X 120" -8 JIC MALE & 1/2 MP |
| 15 | 1 | TS70 | HYD. HOSE 1/2" X 42" -8 JIC FEMALE SWIVEL & -8 JIC MALE |
| 16 | 1 | TS71 | HYD. HOSE 1/2" X 52" -8 JIC FEMALE SWIVEL & -8 JIC MALE |
| 17 | 2 | TS116 | HYDRAULIC LINE |
| 18 | 3 | TS135 | -8 MALE O-RING TO -8 MALE JIC 90° |
| 19 | 2 | TS136 | 3/8" MALE PIPE TO -8 MALE JIC 90° |
| 20 | 1 | TS137 | -8 MALE O-RING TO -8 MALE JIC |
| 21 | 4 | TFM38 | -8 FEMALE JIC SWIVEL TO -8 MALE JIC 90° |
| 22 | 1 | TS139 | -8 JIC SWIVEL BRANCH TEE |
| 23 | 1 | TS299 | -8 MALE JIC TO 3/8" FEMALE PIPE |
| 24 | 4 | DWM205 | QUICK COUPLER MALE |
| 25 | 3 | TS117 | LINE CLAMP CAP |
| 26 | 6 | TS118 | LINE CLAMP BLOCK |
| 27 | 3 | TFM91 | DOUBLE STEEL LINE CLAMP |
| 28 | 12 | GM69 | LINE CLAMP CAP |
| 29 | 24 | GM70 | LINE CLAMP BLOCK |
| 30 | 12 | GM9 | HOSE CLAMP 1/2" TWIN (COMPLETE) |
| 31 | 1 | TS197 | ORIFICE .031 |
| 32 | 4 | YPCT05010 | COTTER PIN, 5/32" X 1-1/2" |

NOTE: * MEANS NOT SHOWN

FIGURE 10
TANDEM AXLES 3" SPINDLE

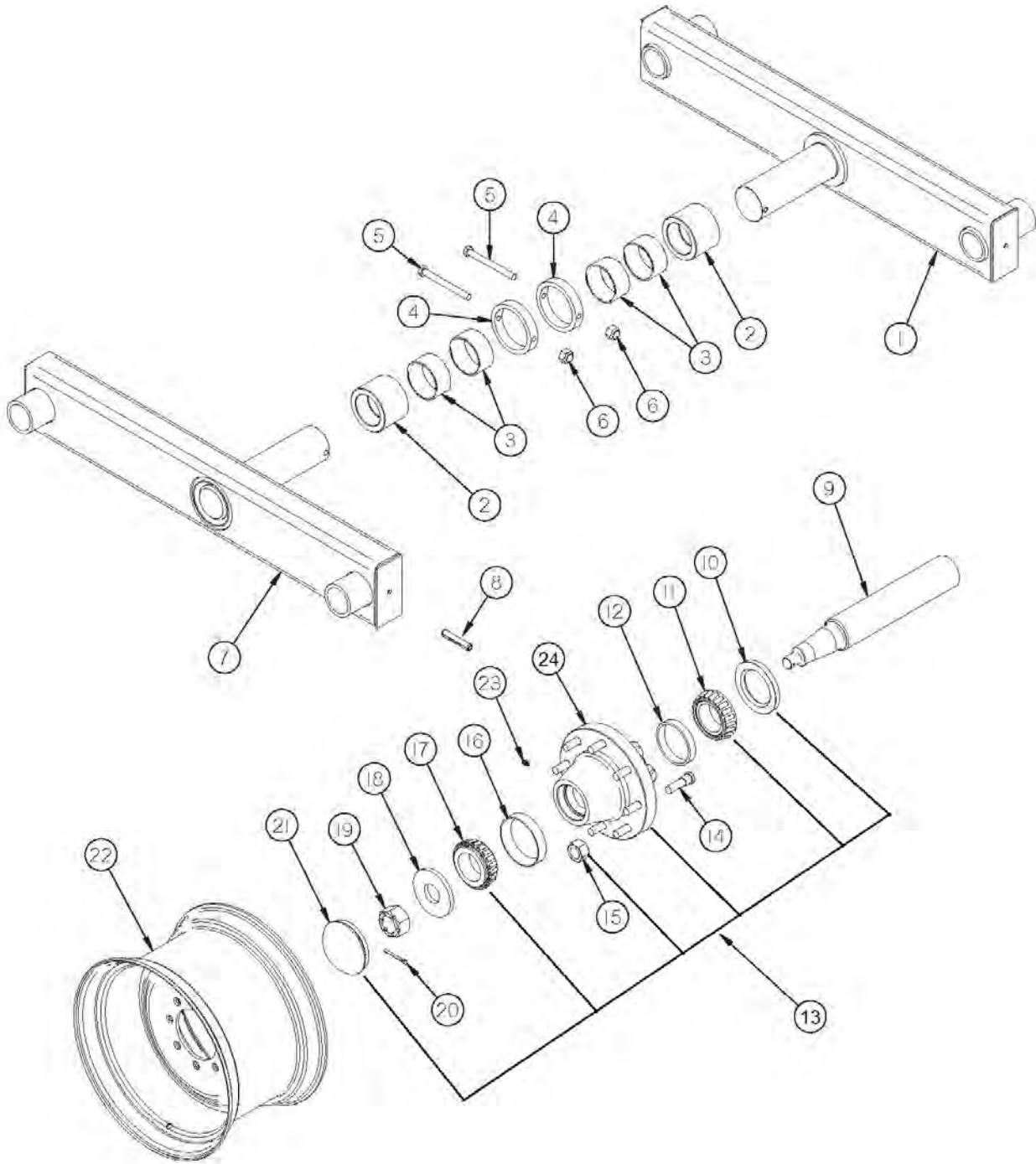


FIGURE 10

TANDEM AXLES 3" SPINDLE

| <u>ITEM</u> | <u>QTY</u> | <u>PART #</u> | <u>DESCRIPTION</u> |
|-------------|------------|---------------|--|
| 1 | 1 | 33SV36 | TANDEM BEAM LH |
| 2 | 2 | 70157 | BUSHING, NYLATRON, 4.50" OD X 4.00" ID X 3.25" |
| 3 | 4 | 70161 | BUSHING, NYLATRON, 4.50" OD X 4.00" ID X 1.56" |
| 4 | 2 | 16SV214 | COLLAR FOR AXLE |
| 5 | 2 | YBHH16155 | BOLT, 1/2" X 5" GR. 5 |
| 6 | 2 | YNL16005 | HEX NUT, TOP LOCK, 1/2"-13 |
| 7 | 1 | 33SV37 | TANDEM BEAM RH |
| 8 | 4 | YPEX16020 | EXPANSION PIN, 1/2" X 4" |
| 9 | 4 | 54577 | SPINDLE 3 X 19.563 |
| 10 | 4 | 54599 | SEAL |
| 11 | 4 | 54597 | INNER BEARING |
| 12 | 4 | 54593 | INNER RACE |
| 13 | 4 | 54564 | HUB - 8 BOLT (COMPLETE) |
| 14 | 32 | YBSD20010 | STUD BOLT, 5/8"-18 UNF X 2-1/2" (7/8" SHOULDER)" |
| 15 | 32 | YNWL20005 | WHEEL NUT, 5/8"-18 UNF |
| 16 | 4 | 54594 | OUTER RACE |
| 17 | 4 | 54598 | OUTER BEARING |
| 18 | 4 | YWFL28005 | WASHER, FLAT, 7/8 USS, ZINC |
| 19 | 4 | YNSL28005 | HEX NUT, SLOTTED, 7/8"-14 |
| 20 | 4 | YPCT05020 | COTTER PIN, 5/32" X 1-3/4" |
| 21 | 4 | B2 | HUB CAP |
| 22 | 4 | 12V36 | WHEEL 14 X 16.1 |
| * | 4 | 33SV105 | WHEEL 16 X 16.1 |
| * | 4 | 16SV89 | WHEEL 13.5 X 22.5 |
| 23 | 4 | 54595 | GREASE ZERK, 1/8"-27 NPT |
| 24 | 4 | 54596 | HUB WITH RACES |

NOTE: * MEANS NOT SHOWN

FIGURE 11

OILER KIT

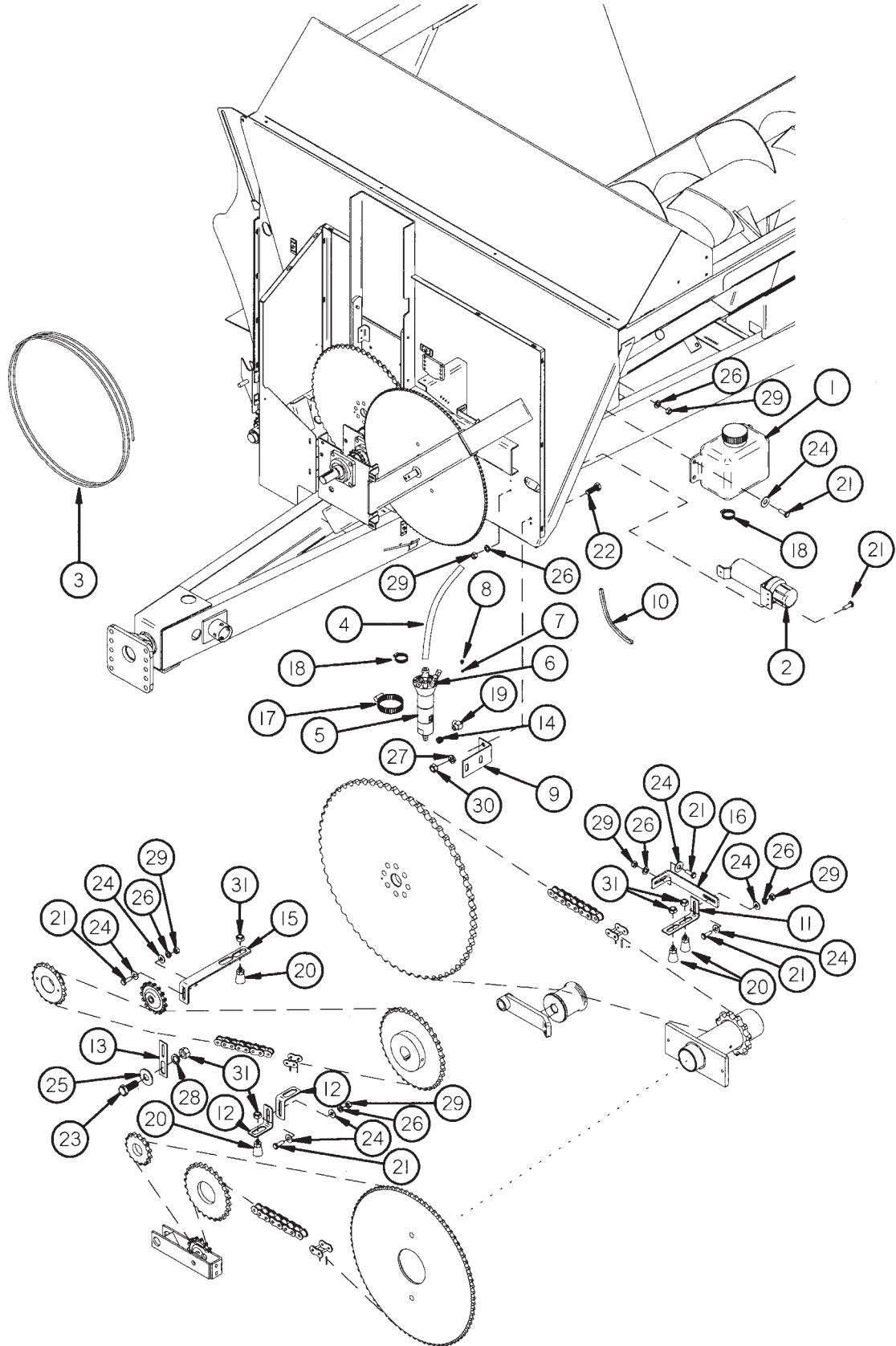


FIGURE 11

OILER KIT

| <u>ITEM</u> | <u>QTY</u> | <u>PART #</u> | <u>DESCRIPTION</u> |
|-------------|------------|---------------|----------------------------|
| 1 | 1 | HGV63 | RESERVOIR |
| 2 | 1 | S522 | MANUAL HOLDER |
| 3 | 1 | HGV71 | OIL TUBE |
| 4 | 1 | HGV66 | FILLER HOSE |
| 5 | 1 | HGV82 | PUMP (COMPLETE) |
| 6 | 4 | HGV86 | STANDOFF |
| 7 | 4 | HGV87 | FERRULE |
| 8 | 4 | HGV85 | SLEEVE NUT |
| 9 | 1 | HGV68 | PUMP MOUNT BRACKET |
| 10 | 1 | HGV77 | EDGING |
| 11 | 2 | HGV69 | BRUSH BRACKET LONG |
| 12 | 2 | TS98 | OILER BRUSH BRACKET SINGLE |
| 13 | 1 | HGV70 | BRACKET MOUNT |
| 14 | 1 | TS198 | ORIFICE .015 (4XH7-S) |
| 15 | 1 | TS322 | EXTRA LONG BRUSH BRACKET |
| 16 | 1 | TS196 | OILER HANGER |
| * | 1 | HGV62 | COMPLETE OILER KIT |
| 17 | 1 | HGV74 | 2" HOSE CLAMP |
| 18 | 2 | HGV75 | 1" HOSE CLAMP |
| 19 | 1 | HGV65 | O-RING/JIC ELBOW |
| 20 | 4 | HGV67 | BRUSH |
| 21 | 11 | YBHH08100 | BOLT, 1/4" X 3/4" GR. 5 |
| 22 | 2 | YBHH12135 | BOLT, 3/8" X 3/4" GR. 5 |
| 23 | 1 | YBHH16045 | BOLT, 1/2" X 1-1/4" GR. 5 |
| 24 | 11 | YWFL08005 | WASHER, FLAT, 1/4" USS |
| 25 | 1 | YWFL16005 | WASHER, FLAT, 1/2" USS |
| 26 | 11 | YWLO08005 | WASHER, LOCK, 1/4" |
| 27 | 2 | YWLO12005 | WASHER, LOCK, 3/8" |
| 28 | 1 | YWLO16005 | WASHER, LOCK, 1/2" |
| 29 | 11 | YNHX08005 | HEX NUT, 1/4"-20 |
| 30 | 2 | YNHX12005 | HEX NUT, 3/8"-16 |
| 31 | 5 | YNHX16005 | HEX NUT, 1/2" |

NOTE: * MEANS NOT SHOWN

FIGURE 12
FRONT GREASE LINES

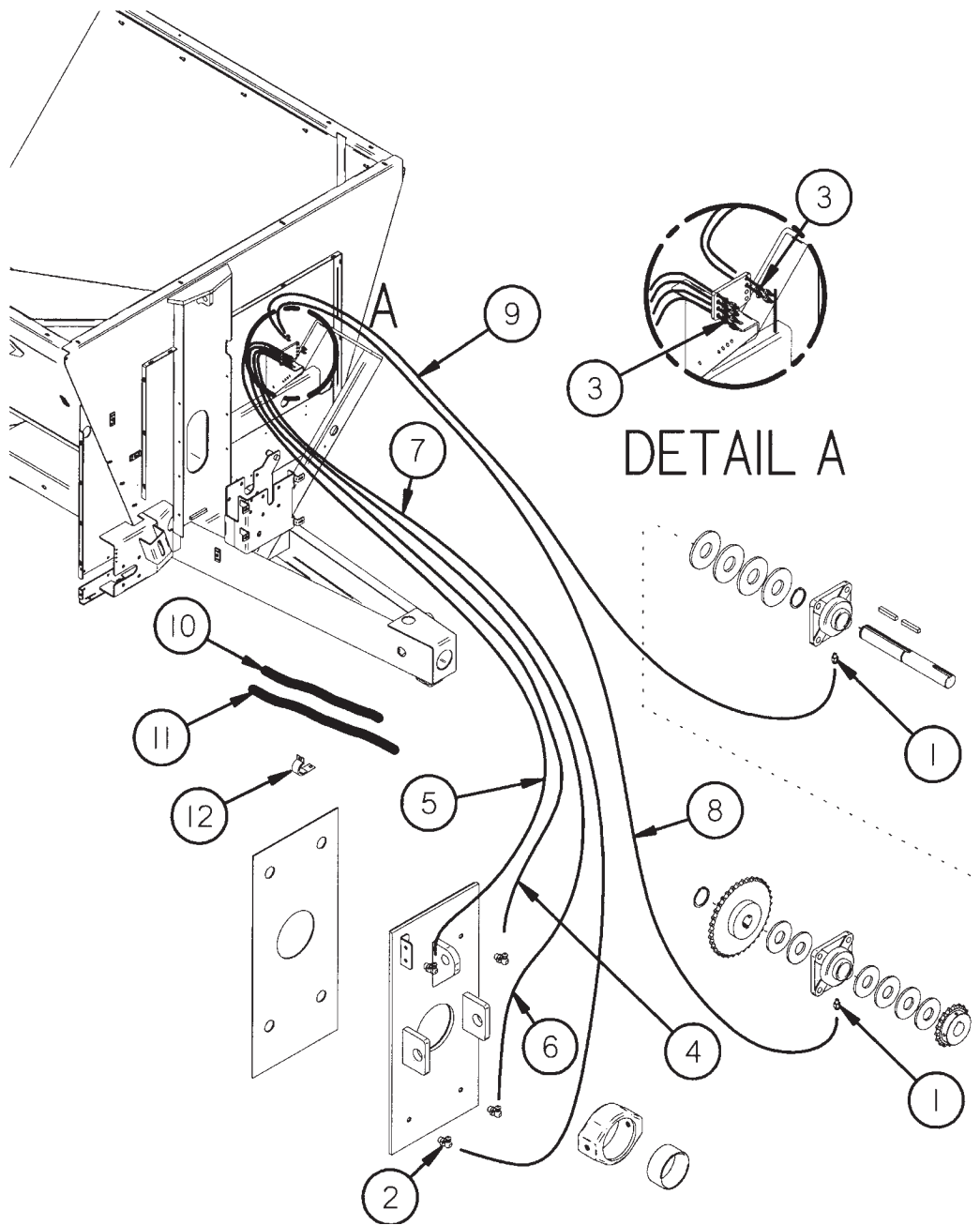


FIGURE 12

FRONT GREASE LINES

| <u>ITEM</u> | <u>QTY</u> | <u>PART #</u> | <u>DESCRIPTION</u> |
|-------------|------------|---------------|------------------------------|
| 1 | 2 | TS323 | 1/4"-28 TO 1/8" PIPE ADAPTER |
| 2 | 4 | GM30 | 1/8" 90° GREASE LINE ADAPTER |
| 3 | 6 | YNML99005 | M10-1.0 JAM NUT A2 SS |
| 4 | 1 | TS119 | GREASE LINE - 23" |
| 5 | 1 | TS120 | GREASE LINE - 29.5" |
| 6 | 1 | TS121 | GREASE LINE - 38.5" |
| 7 | 1 | TS122 | GREASE LINE - 45.5" |
| 8 | 1 | TS123 | GREASE LINE - 60" |
| 9 | 1 | TS124 | GREASE LINE - 63.75" |
| 10 | 1 | TS246 | SPLIT LOOM 3/4" X 18" |
| 11 | 1 | TS305 | SPLIT LOOM 3/4" X 24" |
| 12 | 1 | HGV162 | 1/2" RUBBER WIRE HOLDER |

FIGURE 13
LIGHTING

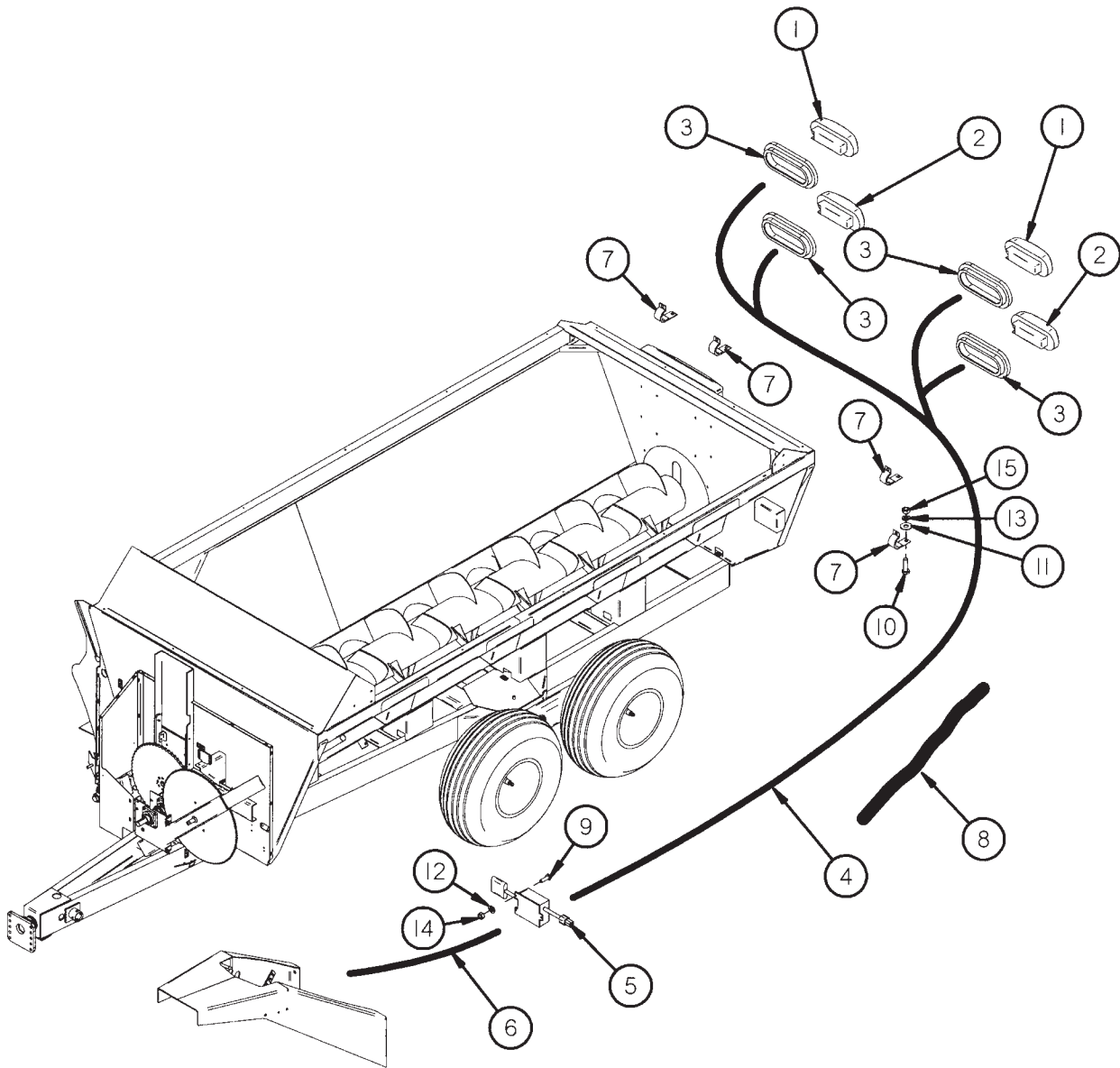


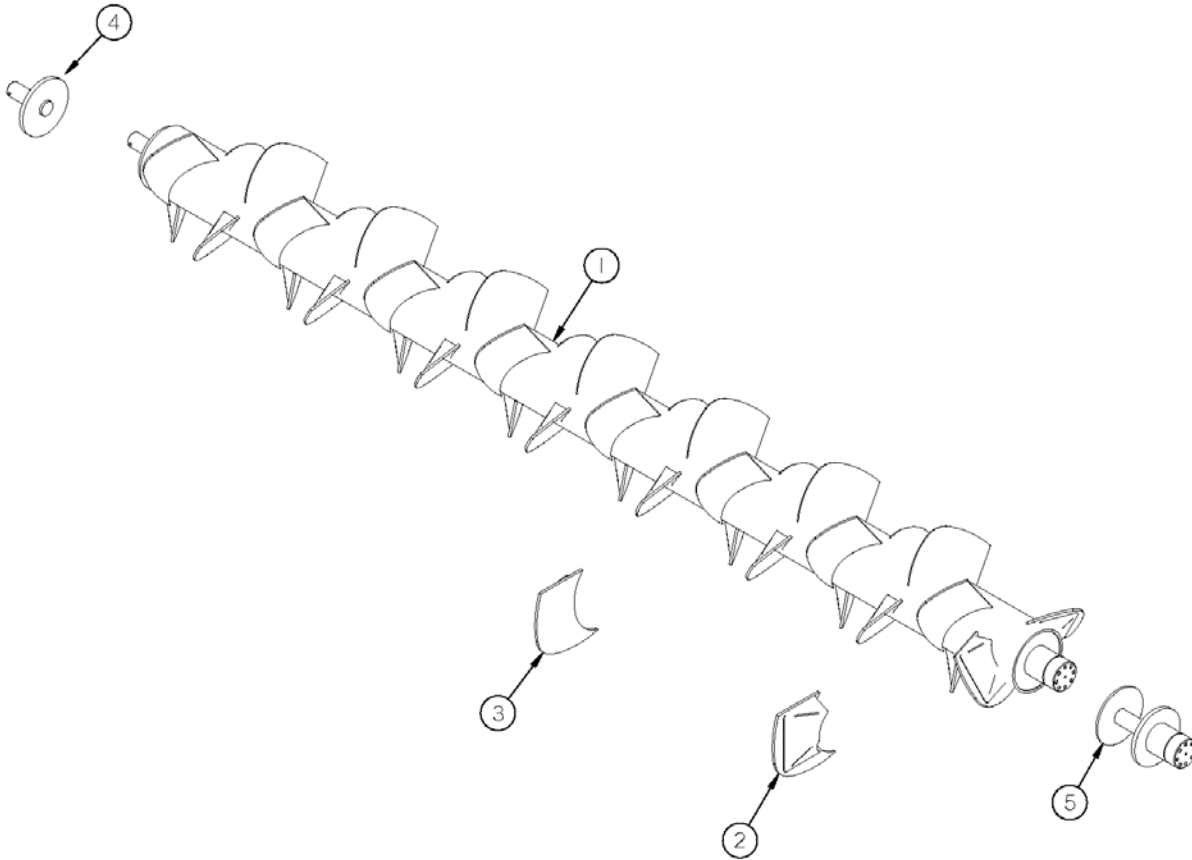
FIGURE 13

LIGHTING

| <u>ITEM</u> | <u>QTY</u> | <u>PART #</u> | <u>DESCRIPTION</u> |
|-------------|------------|---------------|---|
| 1 | 2 | S309 | YELLOW HAZARD LIGHT |
| 2 | 2 | S310 | RED TAIL LIGHT |
| 3 | 4 | S308 | RUBBER LIGHT MOUNT |
| 4 | 1 | 56N155 | TAIL LIGHT LOOM |
| 5 | 1 | 69908 | MODULE, CONTROL, BLINKER |
| 6 | 1 | TS317 | HARNESS MODULE TO TRACTOR |
| 7 | 4 | HGV162 | 1/2" RUBBER WIRE HOLDER |
| 8 | 1 | TS129 | SPIRAL WRAP, 30" |
| 9 | 3 | YSPP64010 | #10-32 X 1" PHILLIPS HEAD MACHINE SCREW |
| 10 | 4 | YBHH10105 | BOLT, 5/16" X 3/4" GR. 5 |
| 11 | 4 | YWFL10005 | WASHER, FLAT, 5/16" |
| 12 | 3 | YWLO08005 | WASHER, LOCK, 1/4" |
| 13 | 4 | YWLO10005 | WASHER, LOCK, 5/16" |
| 14 | 3 | YNHX64005 | HEX NUT, #10-32 |
| 15 | 4 | YNHX10005 | HEX NUT, 5/16" |

FIGURE 14

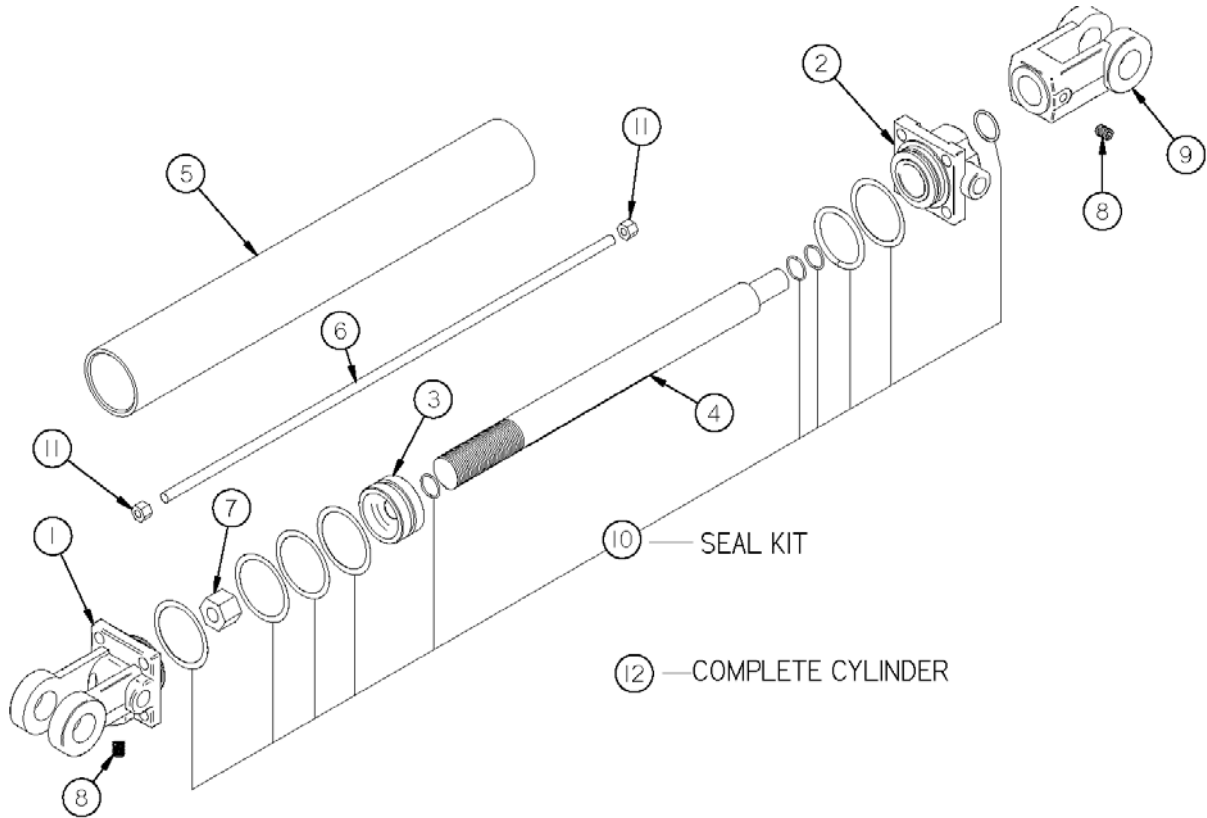
AUGER



| <u>ITEM</u> | <u>QTY</u> | <u>PART #</u> | <u>DESCRIPTION</u> |
|--------------------|-------------------|----------------------|---------------------------|
| 1 | 1 | TS1 | AUGER |
| 2 | 2 | TS125 | AUGER PADDLE FRONT |
| 3 | 37 | TS126 | AUGER PADDLE REAR |
| 4 | 1 | TS127 | AUGER REAR ASSEMBLY |
| 5 | 1 | TS128 | AUGER INPUT ASSEMBLY |

FIGURE 15

AUGER FRONT/REAR HYDRAULIC CYLINDER

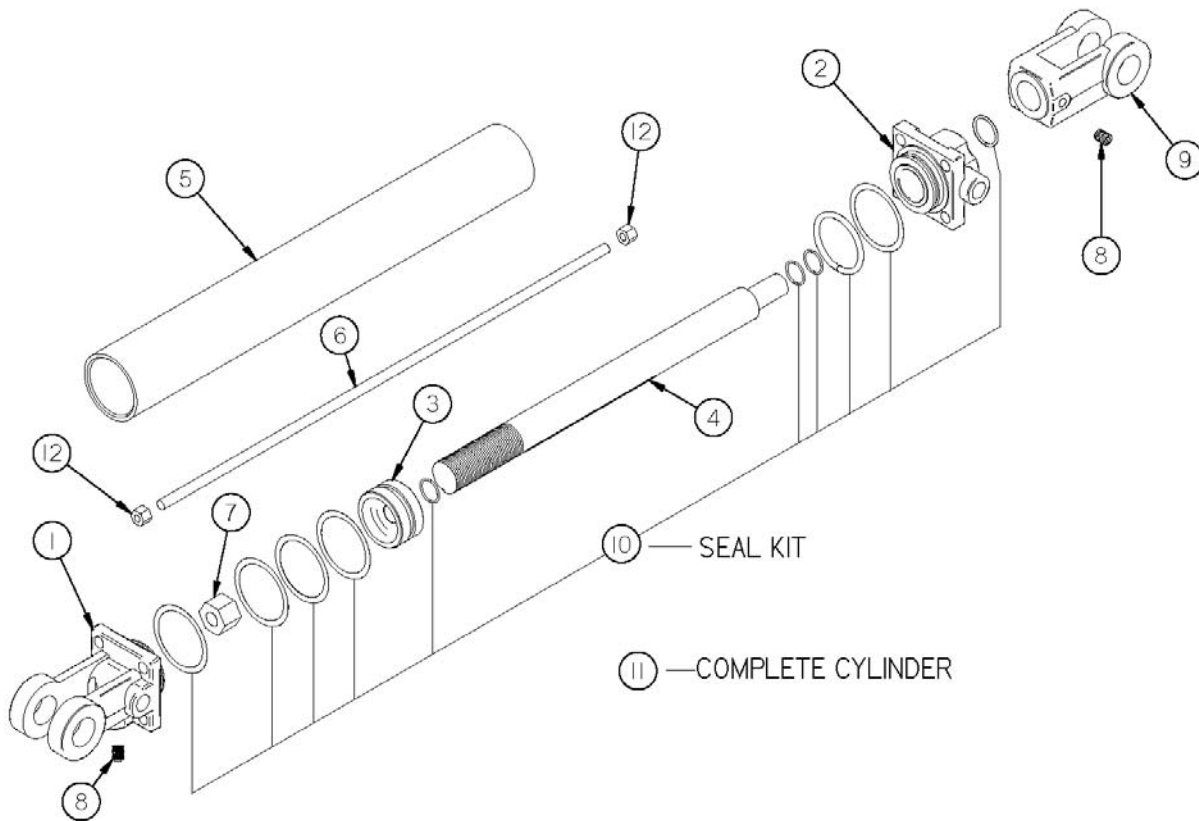


| <u>ITEM</u> | <u>QTY</u> | <u>3" BORE</u> | <u>3-1/4" BORE</u> | <u>DESCRIPTION</u> |
|-------------|------------|----------------|--------------------|------------------------|
| 1 | 1 | TS160 | TS176 | BASE (3/4-16 SAE PORT) |
| 2 | 1 | TS158 | TS174 | HEAD (3/4-16 SAE PORT) |
| 3 | 1 | TS159 | TS175 | PISTON NUT |
| 4 | 1 | TS156 | TS172 | ROD |
| 5 | 1 | TS157 | TS173 | TUBE |
| 6 | 4 | TS153 | TS171 | TIE ROD |
| 7 | 1 | TS145 | TS166 | PISTON NUT |
| 8 | 1 | TS152 | " | PLUG ASSY (3/4-16 SAE) |
| 9 | 1 | TS155 | " | CLEVIS ASSEMBLY |
| 10 | 1 | TS163 | TS177 | SEAL KIT |
| 11 | 8 | TS144 | TS165 | TIE ROD NUT |
| 12 | 1 | TS104 | — | 3 x 8 CYLINDER |
| * | 1 | — | TS105 | 3-1/4 X 8 CYLINDER |

NOTE: " MEANS SAME AS PREVIOUS MODEL
— MEANS NOT USED ON THIS MODEL

FIGURE 16

EXPELLER DOOR HYDRAULIC CYLINDER 2" x 16"

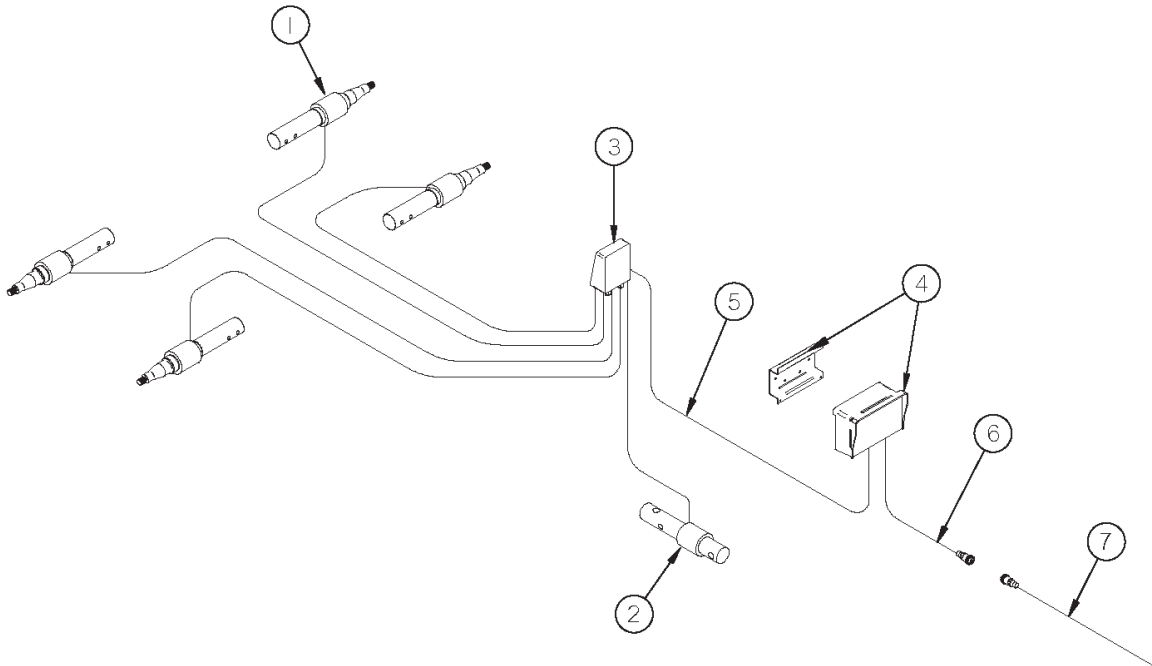


| ITEM | QTY | PART # | DESCRIPTION |
|-------------|------------|---------------|--------------------|
| 1 | 1 | 23N142A | CLEVIS CAP |
| 2 | 1 | 23N143 | ROD CAP |
| * | 1 | 56174 | ROD CAP |
| 3 | 1 | 23N144 | PISTON |
| * | 1 | 56180 | PISTON |
| 4 | 1 | 23N145A | ROD |
| 5 | 1 | 23N146 | CYLINDER TUBE |
| 6 | 4 | 23N147 | TIE ROD |
| 7 | 1 | 23N148 | PISTON NUT |
| 8 | 2 | 23N149 | PLUG |
| 9 | 1 | 23N150A | ROD CLEVIS |
| 10 | 1 | 23N151 | SEAL KIT |
| * | 1 | 56187 | SEAL KIT |
| 11 | 1 | 23N111A | COMPLETE HYD. CYL. |
| * | 1 | 56015 | COMPLETE HYD. CYL. |
| 12 | 8 | YNHX12005 | HEX NUT, 3/8"-16 |

NOTE: * MEANS NOT SHOWN

FIGURE 17

SCALE

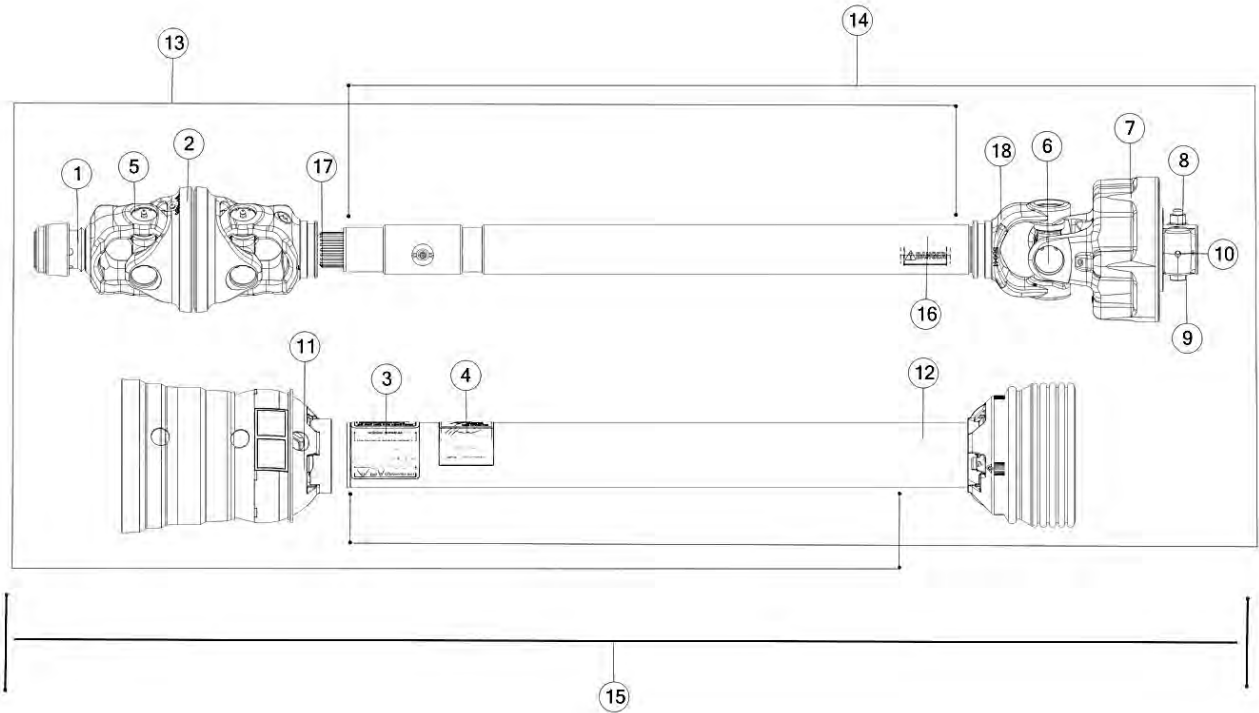


| <u>ITEM</u> | <u>QTY</u> | <u>PART #</u> | <u>DESCRIPTION</u> |
|-------------|------------|---------------|--------------------------------|
| 1 | 4 | TS333 | SPINDLE LOAD CELL |
| 2 | 1 | GM403 | HITCH LOAD CELL |
| 3 | 1 | TS83 | JUNCTION BOX |
| 4 | 1 | GM408 | BRKT IND MTG 840459 |
| * | 1 | TS337 | SCALE DISPLAY W/GPS (OPTIONAL) |
| 5 | 1 | TS338 | JUNCTION BOX CORD |
| 6 | 1 | TS385 | POWER CORD |
| 7 | 1 | 16SV269 | TRACTOR POWER CORD |
| 8 | 1 | GM408 | SCALE HANGER BRACKET |

NOTE: * MEANS NOT SHOWN

FIGURE 18

OPTIONAL PTO (540 RPM)

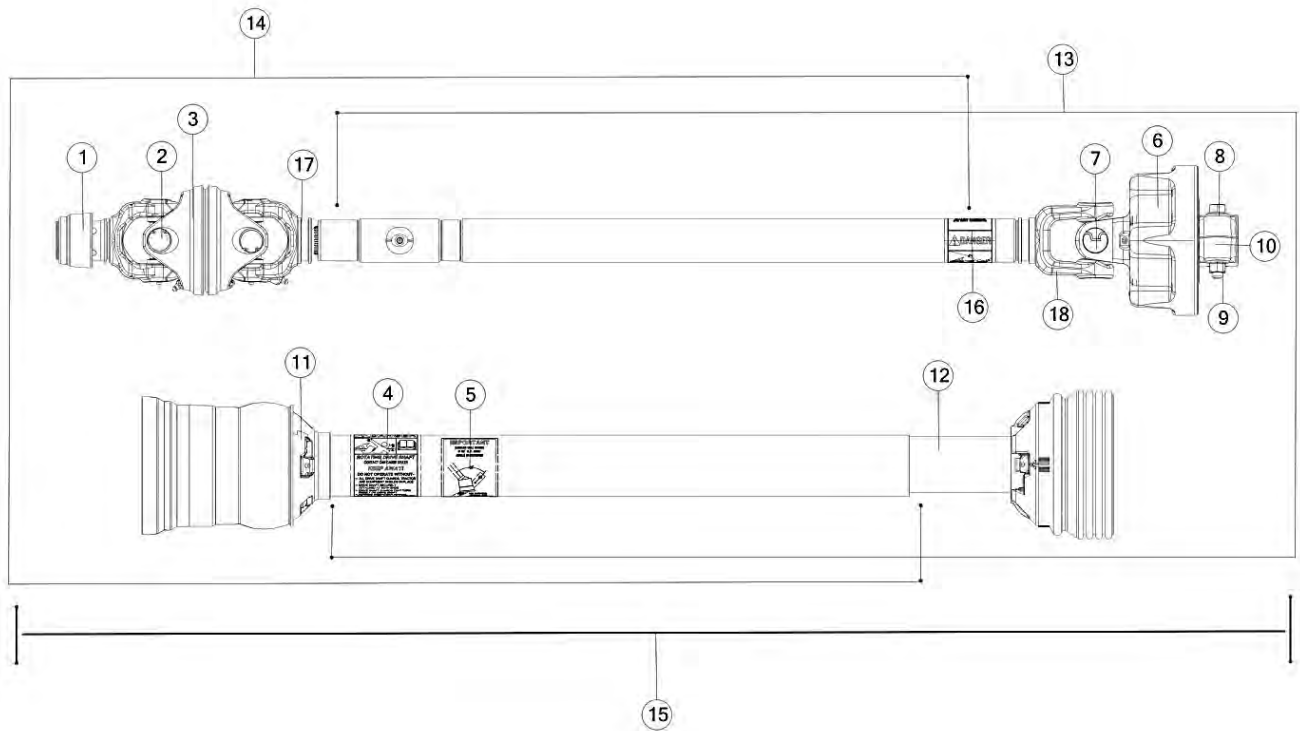


| ITEM | 540 RPM | DESCRIPTION |
|------|-----------|--|
| 1 | 56655 | PTO, YOKE, TUBE & SLIP SLEEVE, 540 RPM |
| 2 | 56509 | CENTER HOUSING PTO PART |
| 3 | 1494L | DECAL-DANGER ROTATING DRIVE |
| 4 | 16SV286 | SAFETY SIGN (C.V INSTRUCTIONAL DECAL) |
| 5 | 56656 | AB8 / AW24 / CAT 6 80 EBL CROSS KIT |
| 6 | 63405 | CROSS KIT, 55E |
| 7 | 70565 | PTO, CLUTCH 55 AUTO, 23600 IN-LBF MIN. |
| 8 | YNFG16010 | HEX NUT, FLANGED, TOP LOCK, 1/2, GR G, Z |
| 9 | YBFB16040 | BOLT, FLANGE, 1/2-13 X 3.00, GR. 8 |
| 10 | YSKP12030 | SET SCREW, SOCKET, KNURLED CUP PT, 3/8-16 X 3/8 W/NYL PTCH |
| 11 | 57973 | OUTER GUARD |
| 12 | 70597 | SHLD, PTO SHAFT OUTER GUARD |
| 13 | 57967 | JOINT & SHAFT HALF ASM. W/ GUARD |
| 14 | 70591 | PTO, JOINT & TUBE HALF, GUARDED, 540 RPM |
| 15 | 70647 | PTO, 540 RPM, 28800 IN-LBF, AUTO |
| 16 | 16SV388 | SAFETY SIGN |
| 17 | 57971 | WWCV YOKE & SHAFT (1.69-20) |
| 18 | 70598 | PTO, YOKE, TUBE & SLIP SLEEVE, 540 RPM |
| * | 57972 | GUARD REPAIR KIT |
| * | 16SV274 | SAFETY SLIDE LOCK REPAIR KIT |
| * | S402 | ADMA SAFETY MANUAL |

* MEANS NOT SHOWN

FIGURE 19

PTO (1000 RPM)



| ITEM | 1000 RPM | DESCRIPTION |
|-------------|-----------------|--|
| 1 | 63389 | YOKE, 4 80 WWCV, AUTO-LOC |
| 2 | 63784 | CROSS KIT, AB6/AW22/480 EBL |
| 3 | TS180 | CENTER HOUSING |
| 4 | 1494L | DECAL-DANGER ROTATING DRIVE |
| 5 | 16SV286 | SAFETY SIGN (C.V INSTRUCTIONAL DECAL) |
| 6 | 70563 | PTO, CLUTCH 35 AUTOMATIC, 15900 IN-LBF MIN. |
| 7 | 61370 | CROSS KIT, 35E |
| 8 | YBFB16040 | BOLT, FLANGE, 1/2-13 X 3.00, GR. 8 |
| 9 | YNFG16010 | HEX NUT, FLANGED, TOP LOCK, 1/2, GR G, Z |
| 10 | YSKP12030 | SET SCREW, SOCKET, KNURLED CUP PT, 3/8-16 X 3/8 W/NYL PTCH |
| 11 | TS182 | OUTER GUARD |
| 12 | 70585 | SHLD, PTO SHAFT INNER GUARD |
| 13 | 70581 | PTO, JOINT & TUBE HALF, GUARDED, 1000 RPM |
| 14 | 63790 | JOINT & SHAFT HALF, GUARDED |
| 15 | 70329 | PTO, 1000 RPM, 19500 IN-LBF, AUTO |
| 16 | 16SV388 | SAFETY SIGN |
| 17 | TS181 | PTO, WWCV YOKE & SHAFT (1.31-20 SPLN), 1000 RPM |
| 18 | 70586 | PTO, YOKE, TUBE & SLIP SLEEVE, 1000 RPM |
| * | 16SV383 | GUARD REPAIR KIT |
| * | 16SV274 | SAFETY SLIDE LOCK REPAIR KIT |
| * | S402 | ADMA SAFETY MANUAL |

* MEANS NOT SHOWN

FIGURE 20
OPTIONAL TANDEM AXLES

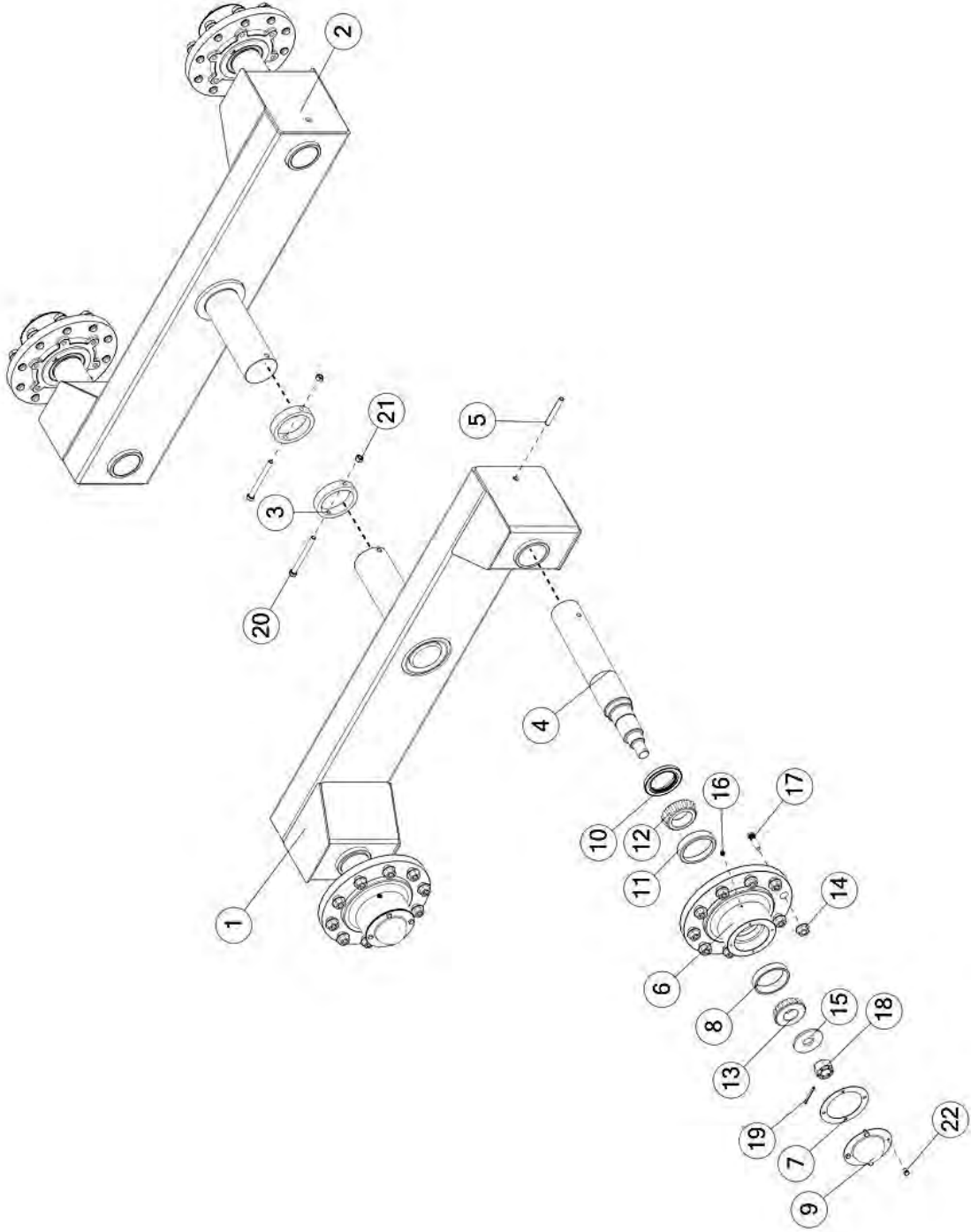


FIGURE 20

OPTIONAL TANDEM AXLES

| <u>ITEM</u> | <u>QTY</u> | <u>PART #</u> | <u>DESCRIPTION</u> |
|--------------------|-------------------|----------------------|---|
| 1 | 1 | 75458 | TANDEM AXLE LEFT |
| 2 | 1 | 75451 | TANDEM AXLE RIGHT |
| 3 | 2 | 16SV214 | AXLE MOUNT COLLAR |
| 4 | 4 | TS46 | TANDEM SPINDLE |
| 5 | 4 | YPEX16020 | EXPANSION PIN, 1/2" X 4" |
| 6 | 4 | 54493 | 871 HUB CASTING |
| 7 | 4 | 56234 | HUB CAP GASKET |
| 8 | 4 | 60N10 | OUTER RACE |
| 9 | 4 | 60N11 | HUB CAP |
| 10 | 4 | 60N5 | GREASE SEAL |
| 11 | 4 | 60N6 | INNER RACE |
| 12 | 4 | 60N7 | TAPERED ROLLER BEARING |
| 13 | 4 | 60N9 | TAPERED ROLLER BEARING |
| 14 | 40 | YNWL24005 | NUT, WHEEL, FLG, 3/4-16, NA, G8, ZY |
| 15 | 4 | 60N2 | SPINDLE WASHER |
| 16 | 4 | BFR28 | 1/8" NPT GREASE ZERK |
| 17 | 40 | YBSD24010 | BOLT, STUD, 3/4-16UNF X 2-3/4 X 3/4, G8 |
| 18 | 4 | YNCA36005 | NUT, CASTLE, 1-1/4-12 |
| 19 | 4 | YPCT07005 | COTTER PIN, 7/32 X 2 |
| 20 | 2 | YBHH16160 | BOLT, HEX, 1/2-13 X 5-1/2, G5, ZC |
| 21 | 2 | YNL16005 | NUT, HEX, 1/2-13, LKTL, C, ZC |
| 22 | 16 | YBHH10020 | BOLT, HEX, 5/16-18 X 1/2, G5, ZC |

H&S MFG. CO.

products approved

for the

FEMA

SEAL OF QUALITY

